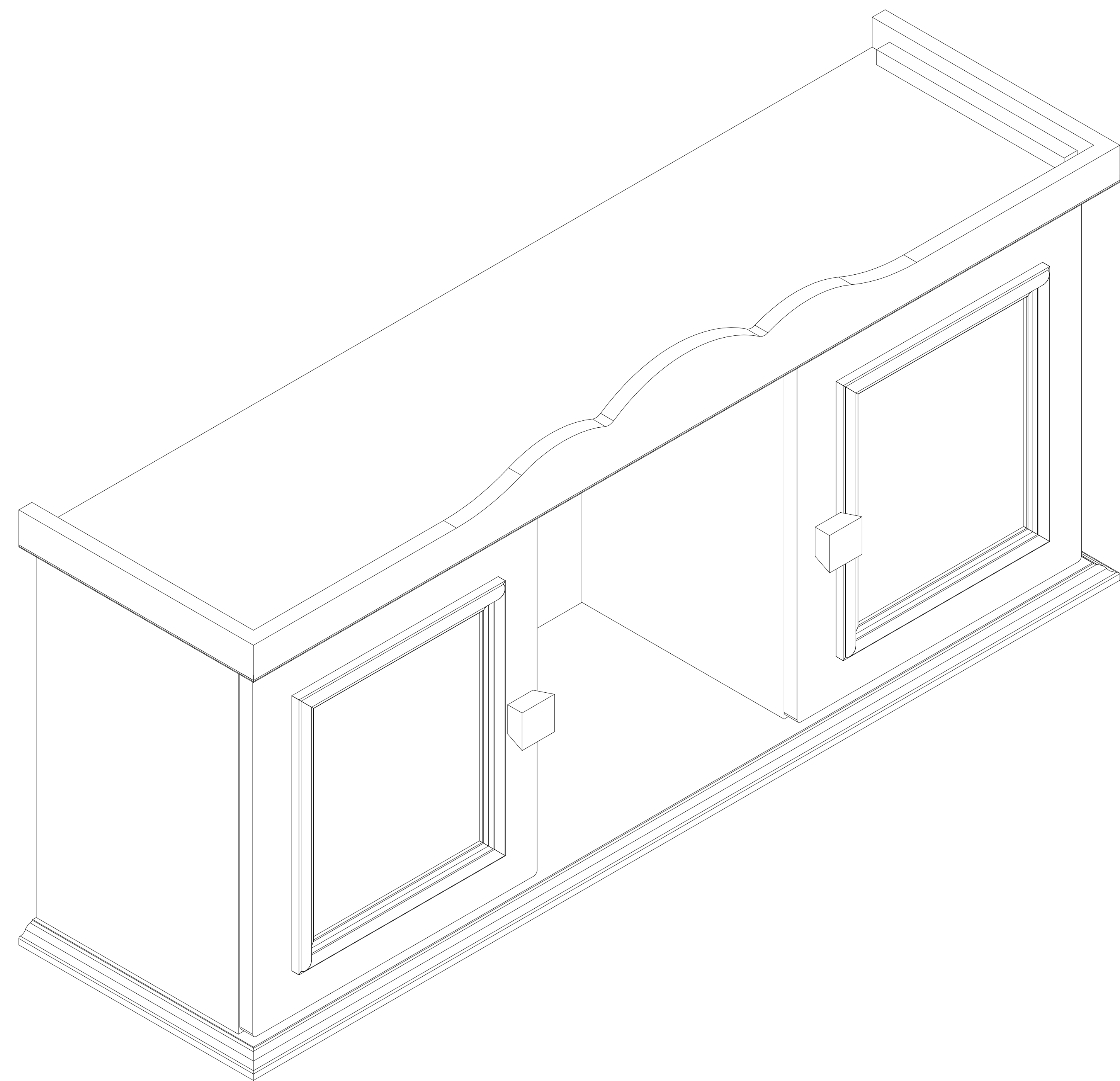
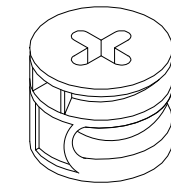
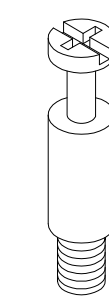
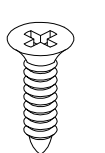
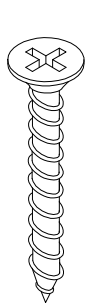
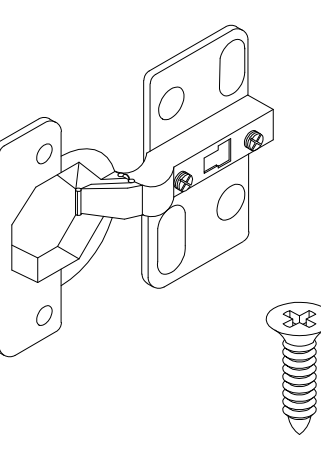
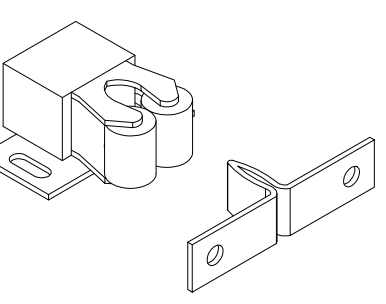
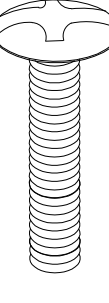
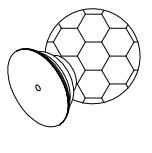
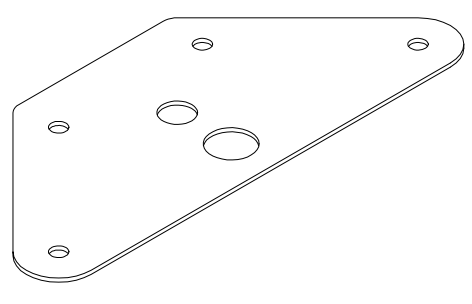


ASSEMBLY INSTRUCTION

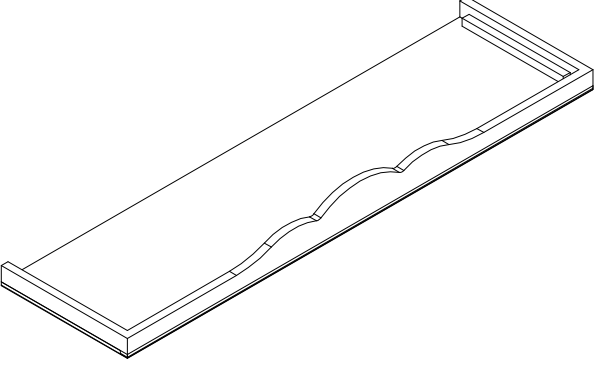
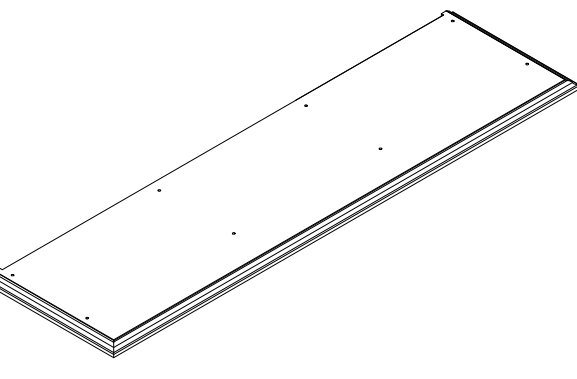
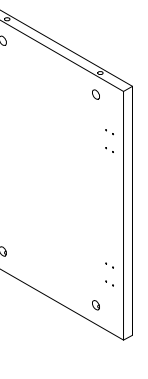

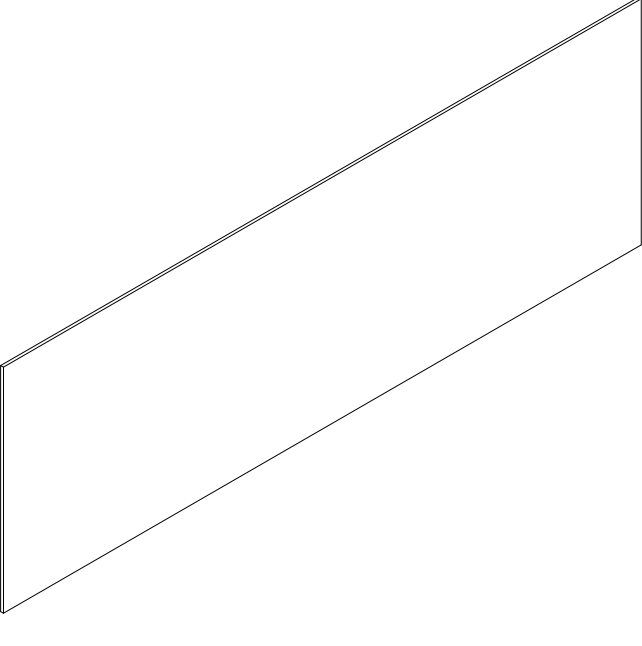
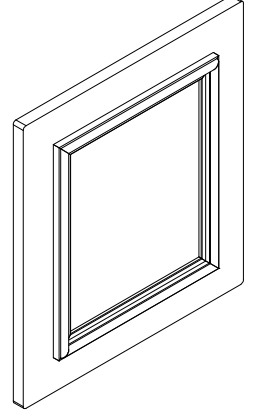
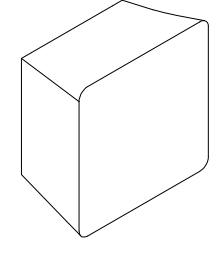
GA-MJ002-M



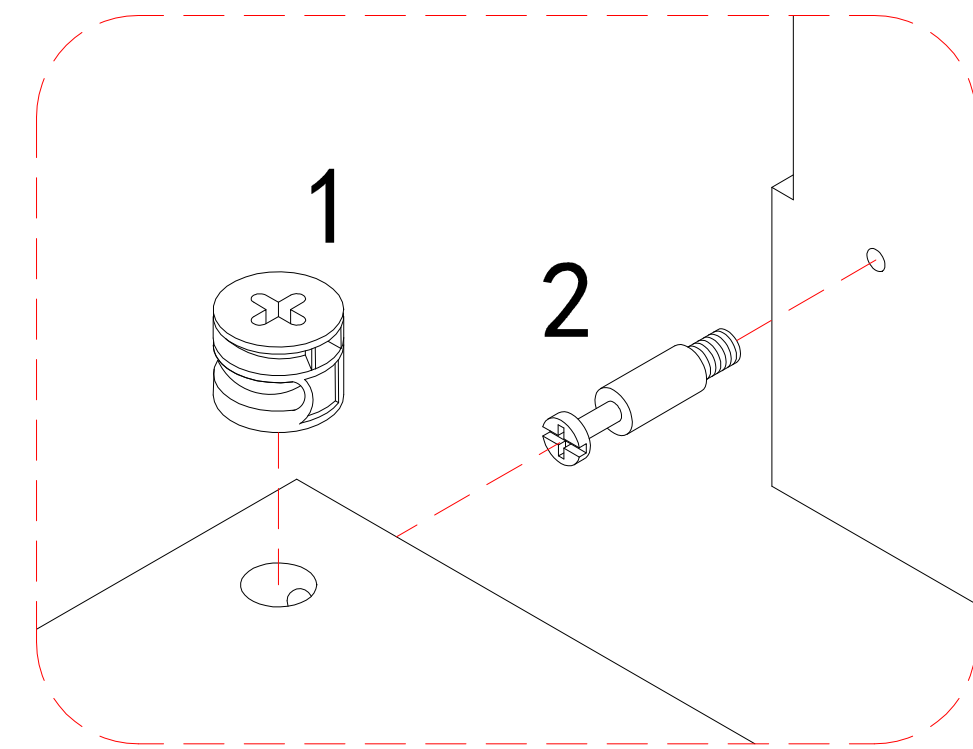
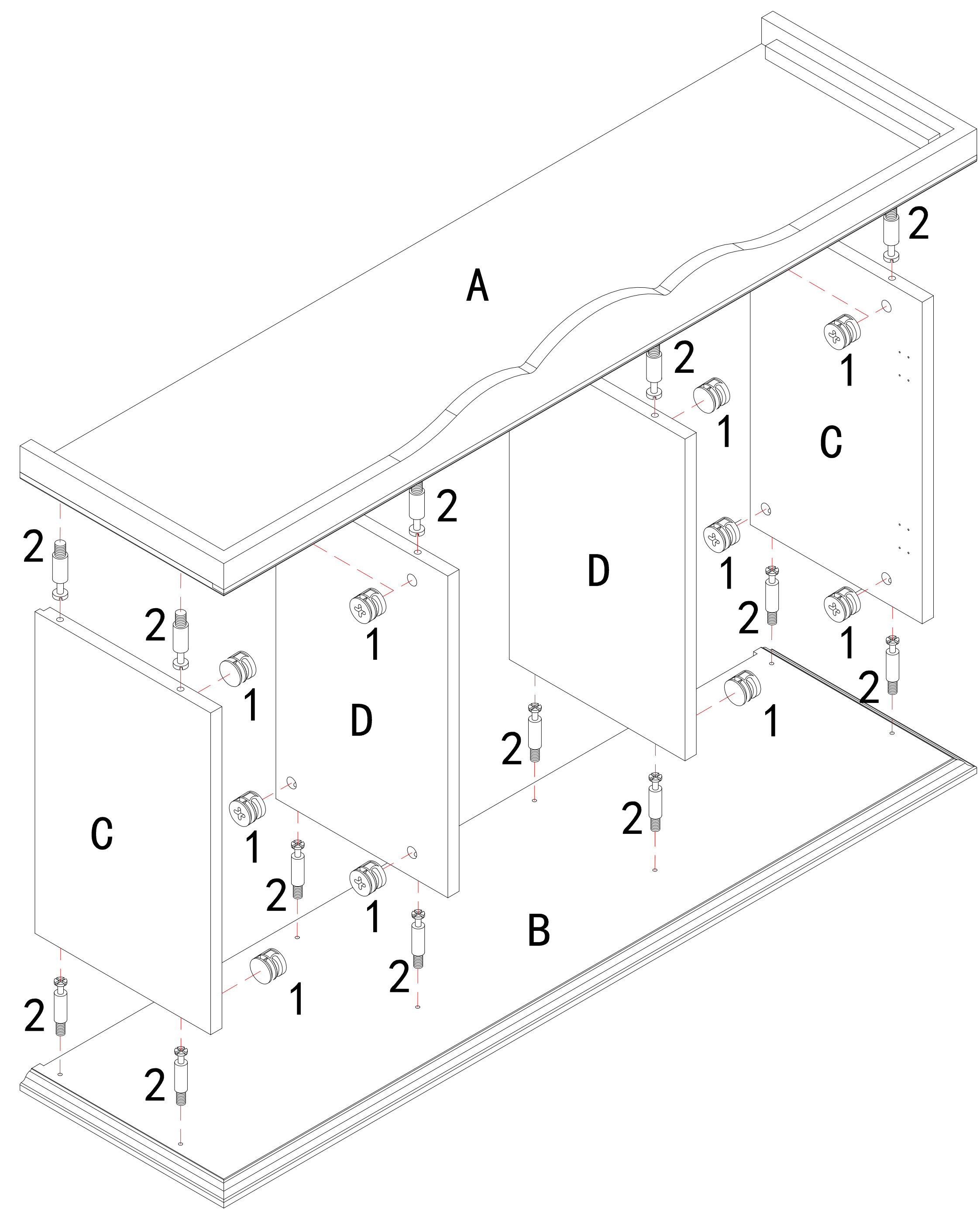
PLEASE CHECK THE HARDWARE LIKE THIS:

| | | | | | |
|--|---|--|---|--|---|
| 1#  φ15*12mm 16PCS | 2#  φ7*45mm 16PCS | 3#  7# φ3.5*16mm 32PCS | 4#  8# φ4*30mm 2PCS | 5#  KARPO 4PCS | 6#  39*28*14mm 2PCS |
| 7#  φ4*20mm 2PCS | 8#  φ30*38mm 2PCS | 9#  118*50*1mm 2PCS | | | |

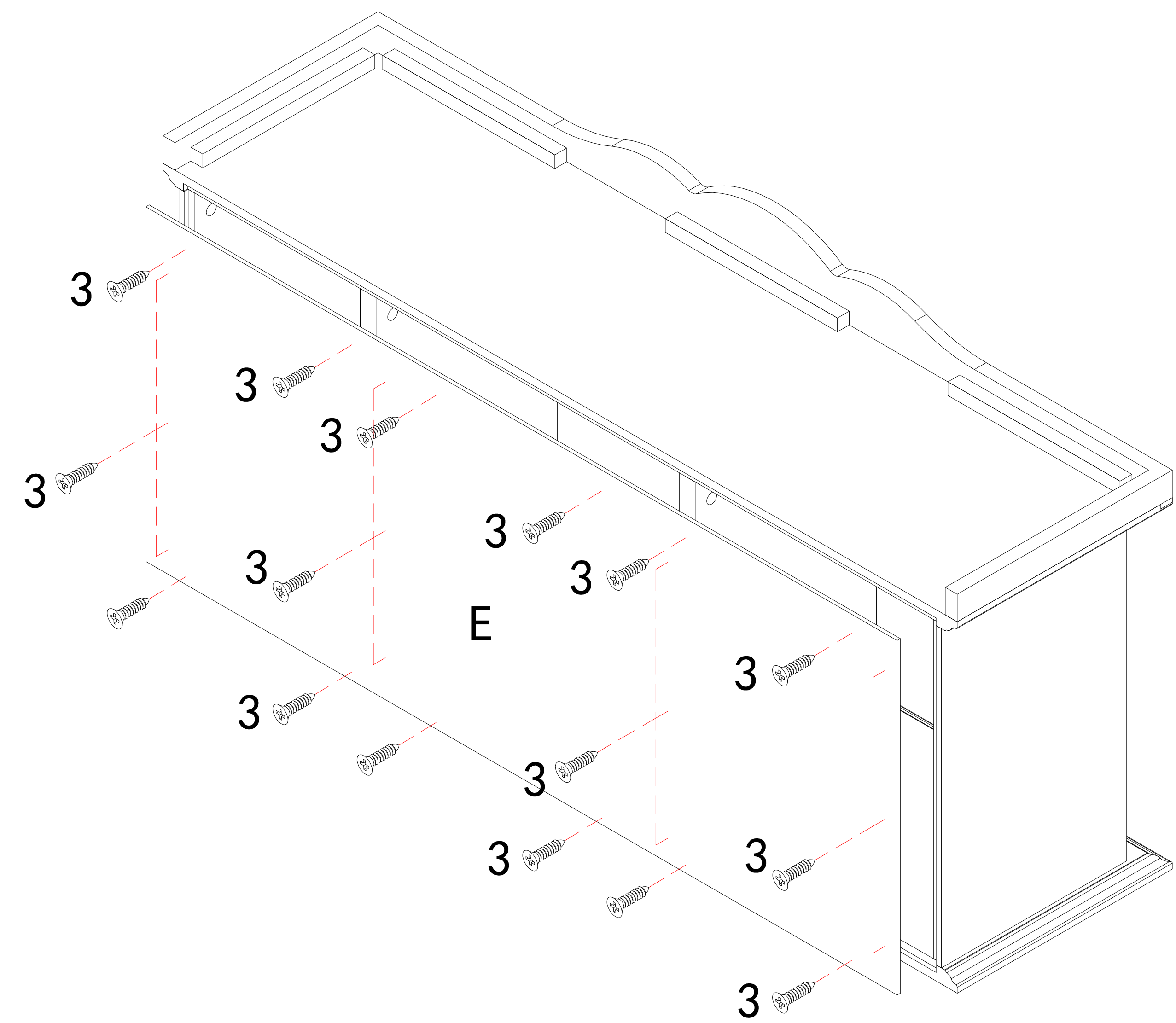
ALL THE PARTS AS BELOW:

| | | | | | |
|--|---|--|--|---|--|
| A  1PC | B  1PC | C  2PCS | D  2PCS | E  1PC | F  2PCS |
| G  2PCS | | | | | |

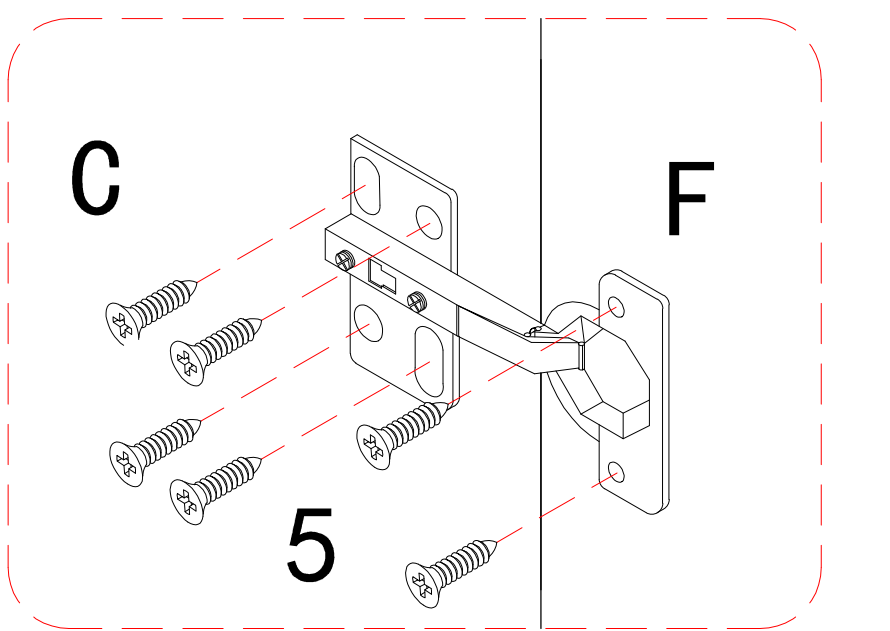
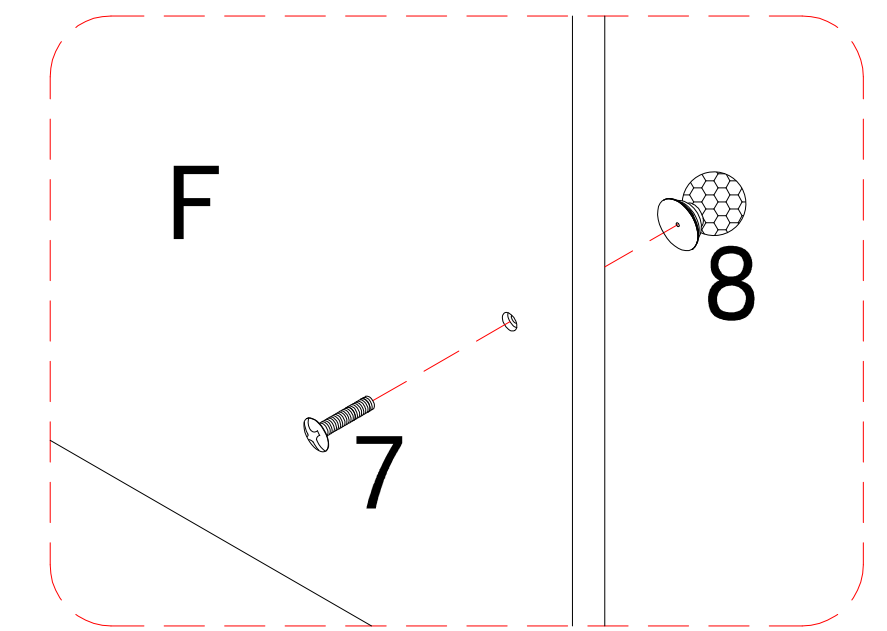
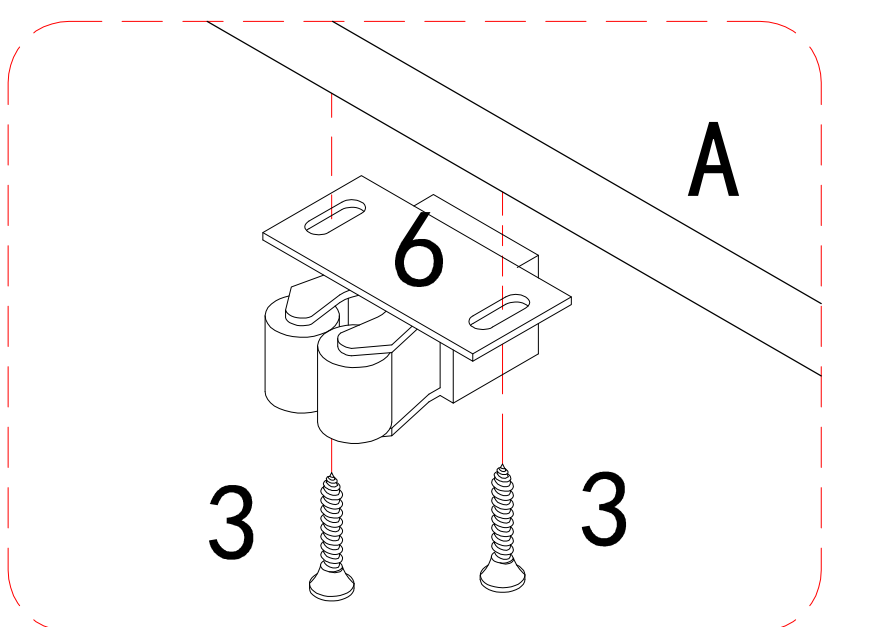
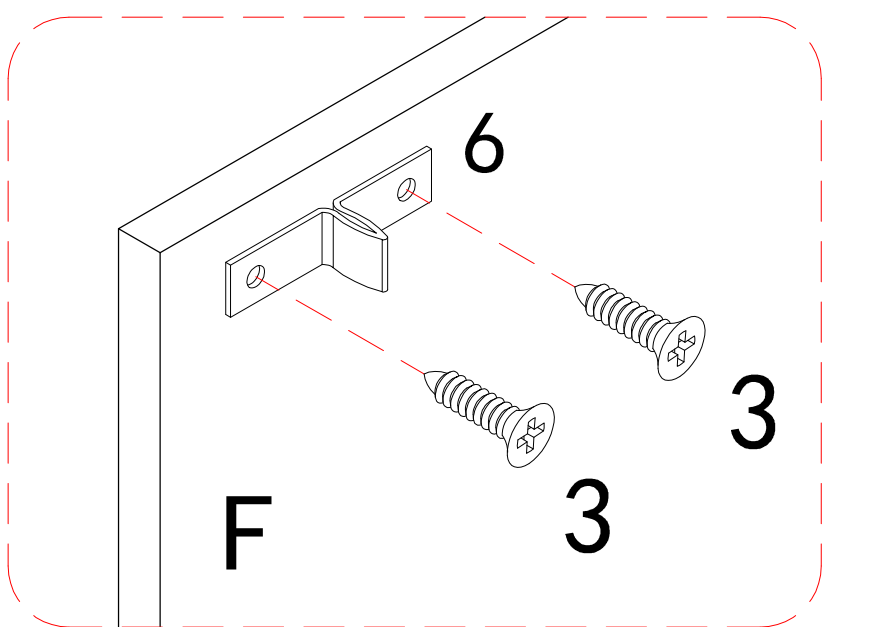
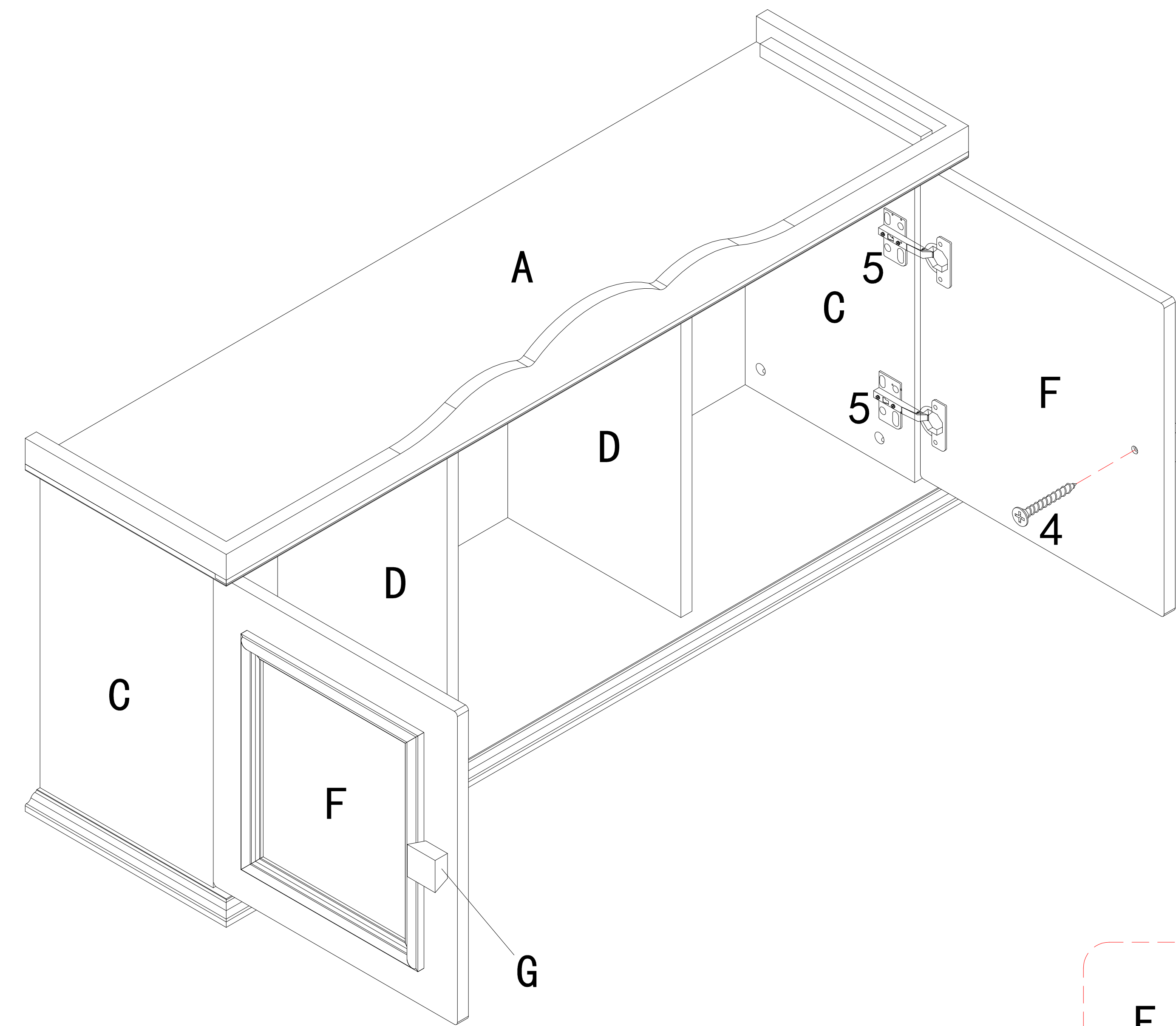
1



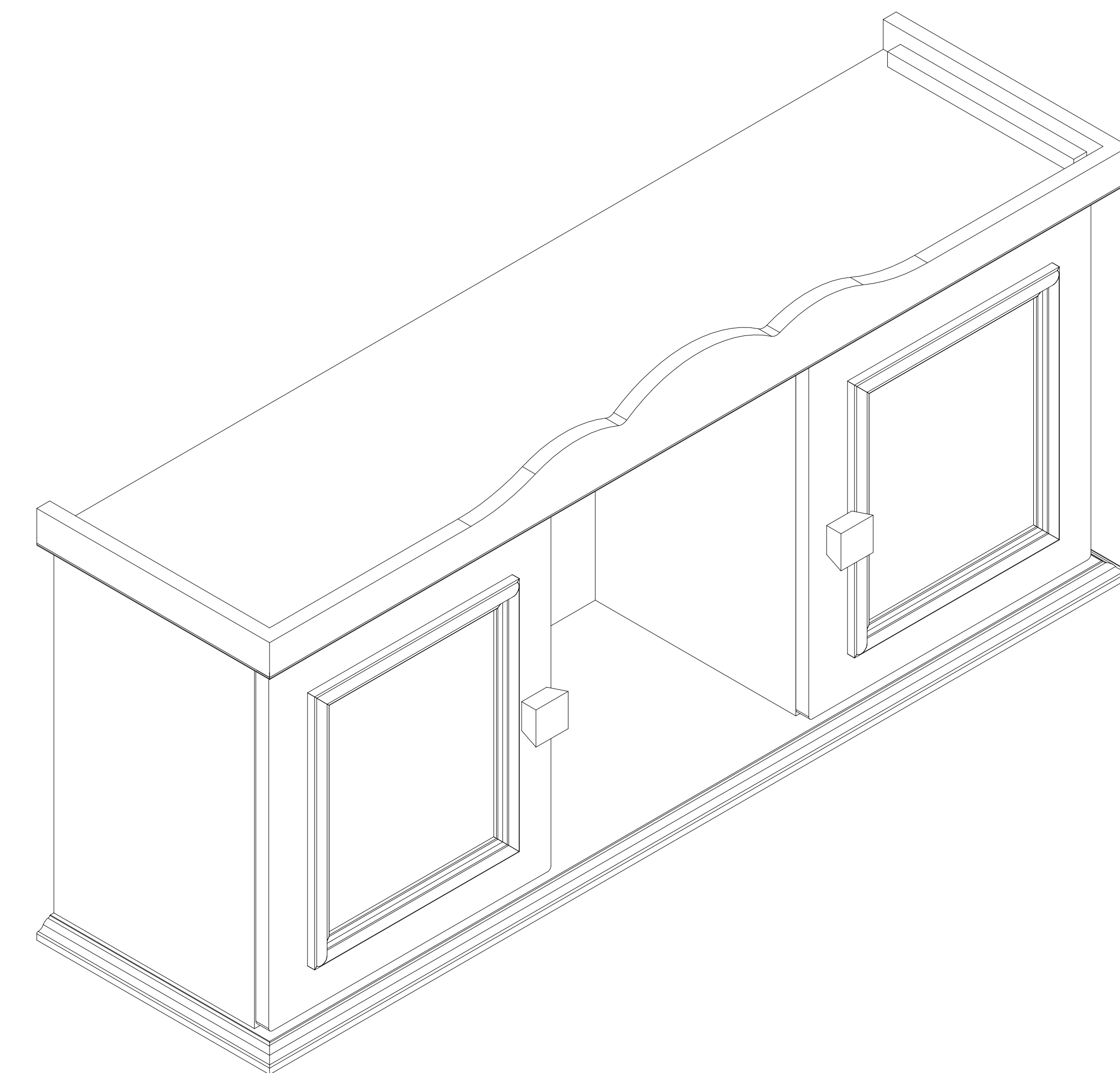
2



3



4



(FINISH)