



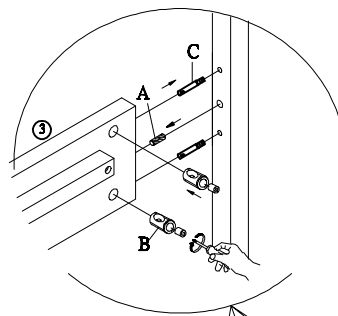
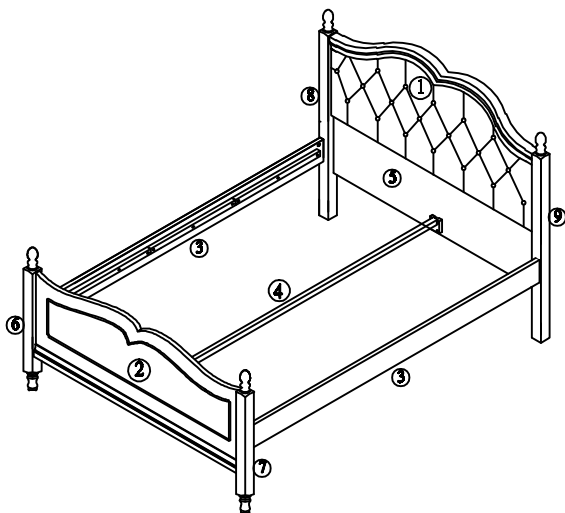
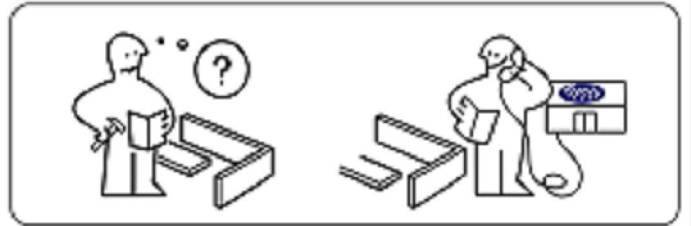
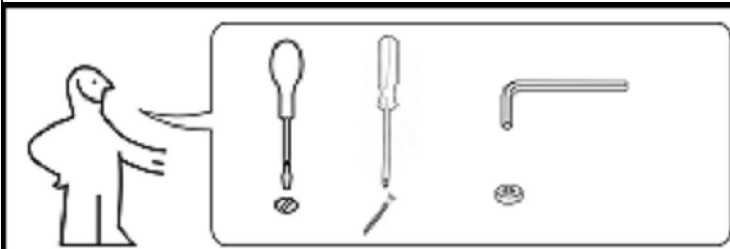
ASSEMBLY INSTRUCTION

SHIRA BED 120 x 190 CM (SIDE BED 18CM) WITH PADDING

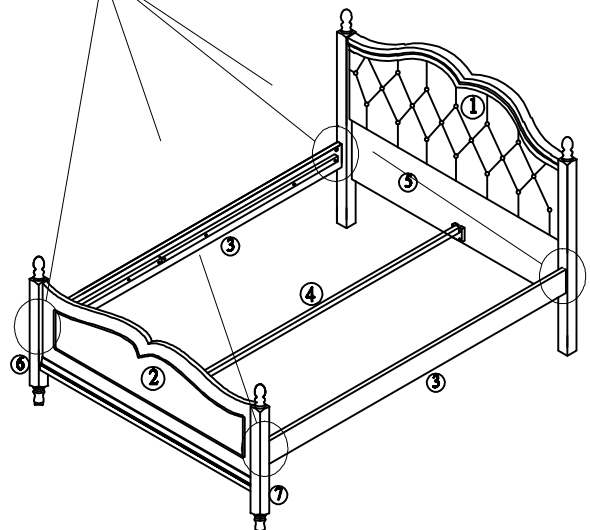
Thank you for purchasing this quality product. Be sure to check all packing material carefully for small parts, which may have come loose inside the carton during shipment. Identify and count all parts and compare with the parts list below.

PARTS IDENTIFICATION	
1	1 PC
2	1 PC
3	2 PCS
4	1 PC
5	1 PC
6	1 PC
7	1 PC
8	1 PC
9	1 PC

HARDWARE LIST			
A		Ø8x40mm	16 PCS
B		Ø16 x 20mm	8 PCS
C		Ø10 x 48mm	8 PCS
D		4 x 55 mm	2 PCS
E			16 PCS
F			16 PCS
G			4 PCS
H			1 PCS



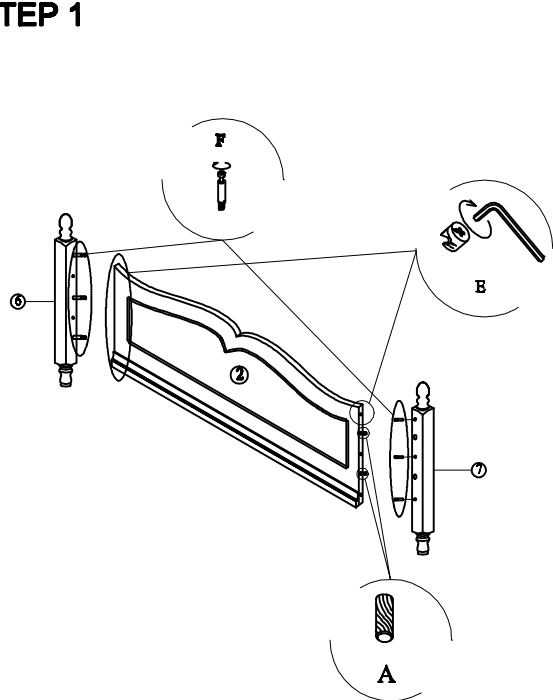
STEP 3



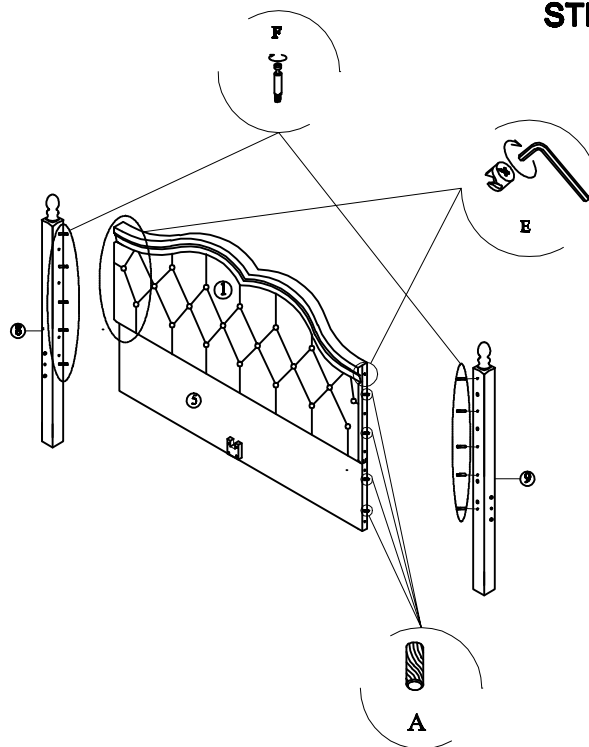
ASSEMBLY INSTRUCTION

SHIRA BED 120 x 190 CM (SIDE BED 18CM) WITH PADDING

STEP 1



STEP 2



STEP 4

