



# ASSEMBLY INSTRUCTION



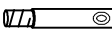


ITEM#: SHAHAR BED 90 x 190 CM (SIDE BED 11cm)

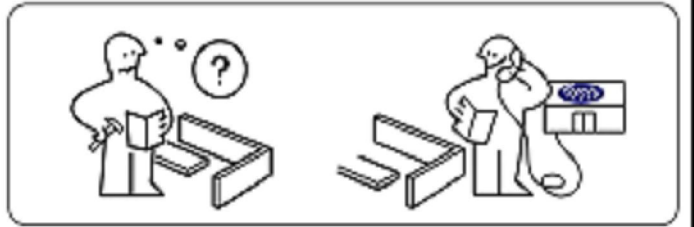
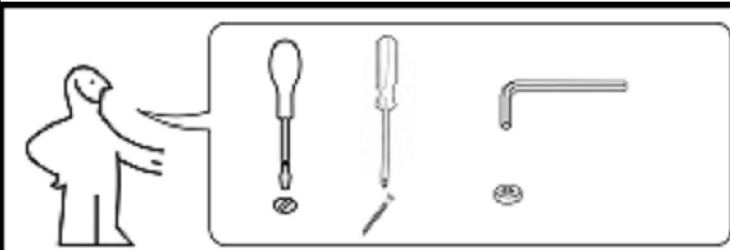
Thank you for purchasing this quality product. Be sure to check all packing material carefully for small parts, which may have come loose inside the carton during shipment. Identify and count all parts and compare with the parts list below.

## PARTS IDENTIFICATION

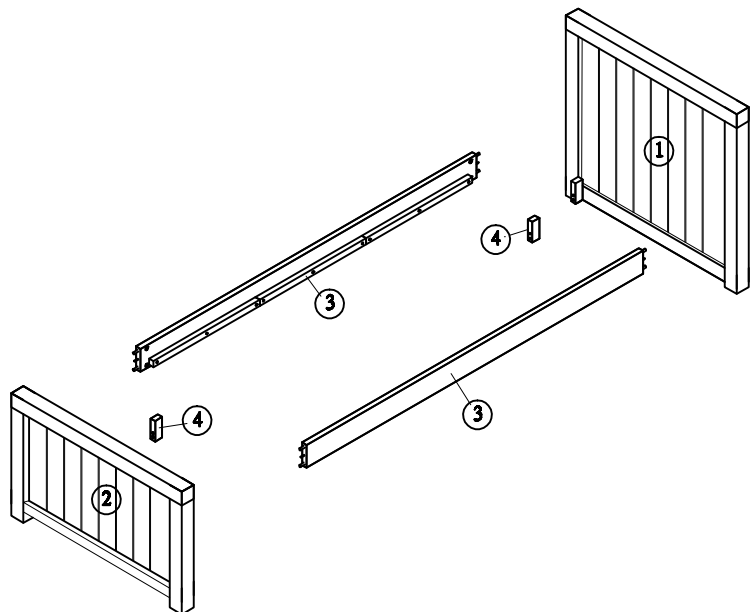
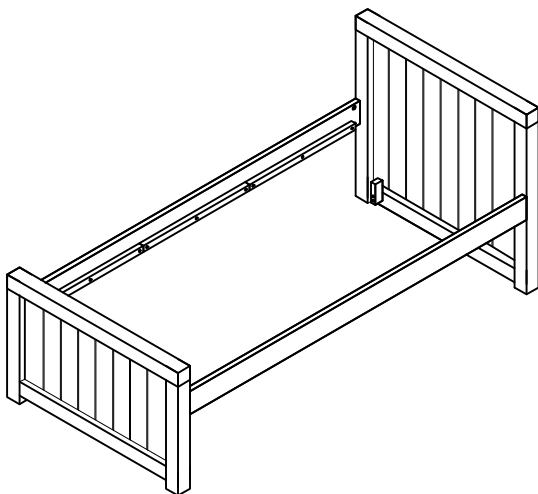
|   |       |
|---|-------|
| 1 | 1 PC  |
| 2 | 1 PC  |
| 3 | 2 PCS |
| 4 | 2 PCS |

## HARDWARE LIST

|   |             |   |            |       |
|---|-------------|---|------------|-------|
| A | DOWEL       |  | Ø8x40mm    | 4 PCS |
| B | HELIX       |  | Ø16 x 20mm | 8 PCS |
| C | HEXAGON NUT |   | Ø10 x 48mm | 8 PCS |
| D | SCREW       |  | 4 x 50mm   | 4 PCS |
| E |             |  |            | 4 PCS |



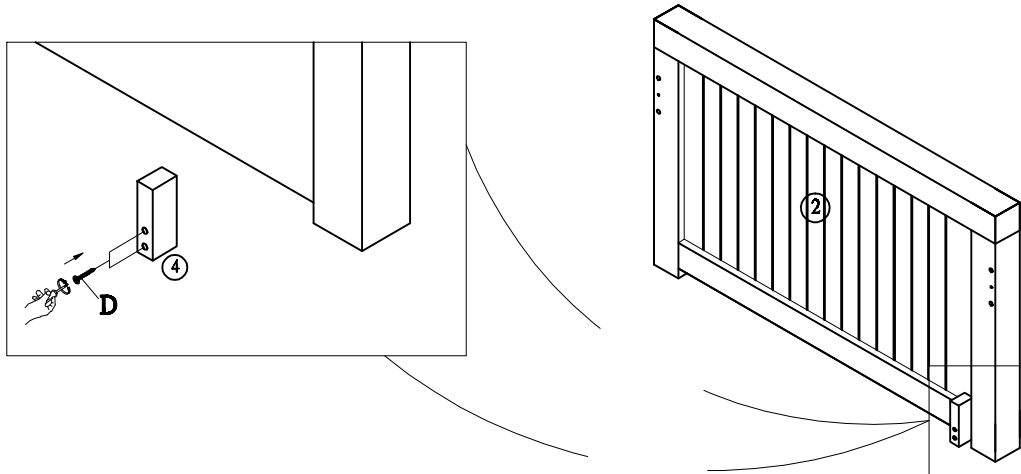
## FINAL



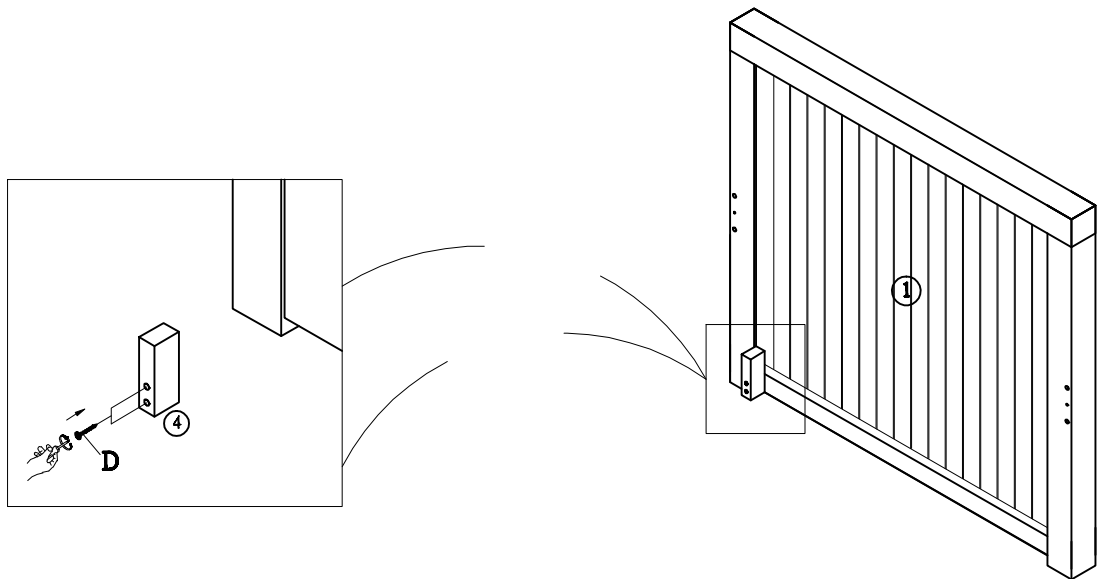
# ASSEMBLY INSTRUCTION

ITEM#: SHAHAR BED 90 x 190 CM (SIDE BED 11cm)

## STEP 1



## STEP 2



## STEP 3

