



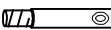




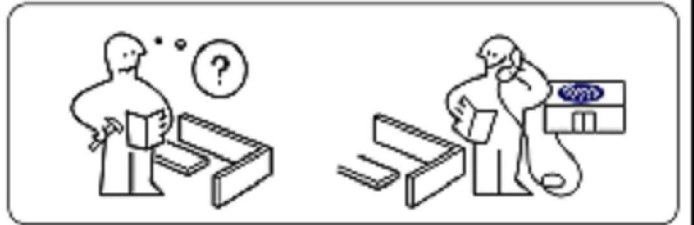
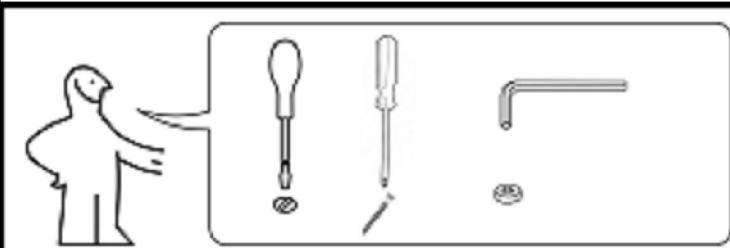
# ASSEMBLY INSTRUCTION

ITEM#: SHAHAR BED 120 x 190 CM (SIDE BED 18 CM)

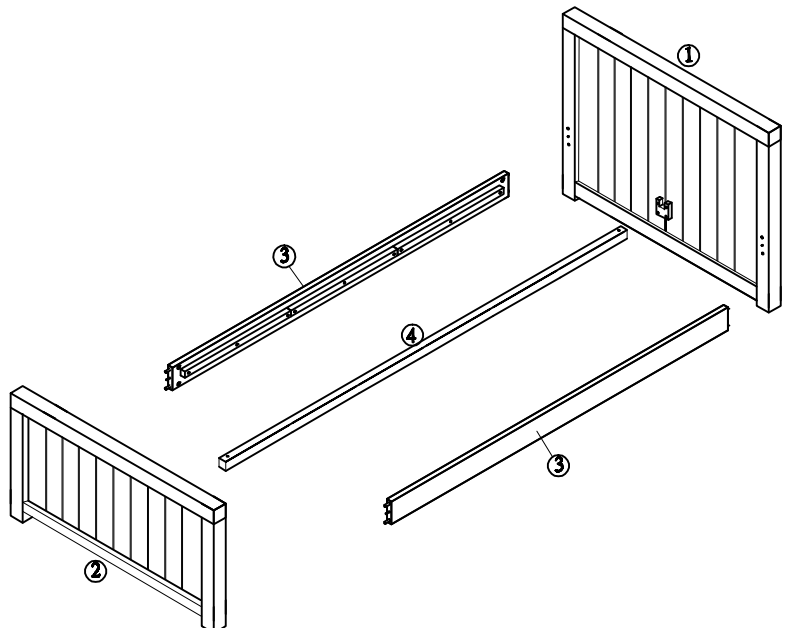
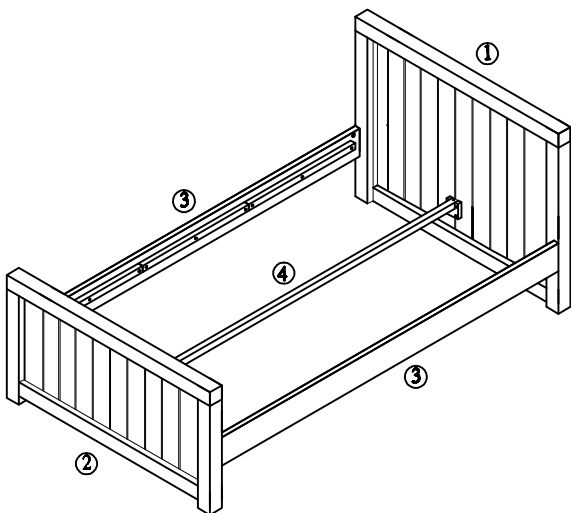
Thank you for purchasing this quality product. Be sure to check all packing material carefully for small parts, which may have come loose inside the carton during shipment. Identify and count all parts and compare with the parts list below.

PARTS IDENTIFICATION	
1	1 PC
2	1 PC
3	2 PCS
4	1 PCS

HARDWARE LIST				
A	DOWEL		Ø8x40mm	4 PCS
B	HELIX		Ø16 x 20mm	8 PCS
C	HEXAGON NUT		Ø10 x 48mm	8 PCS
D	SCREW		4 x 55 mm	2 PCS
E				4 PCS



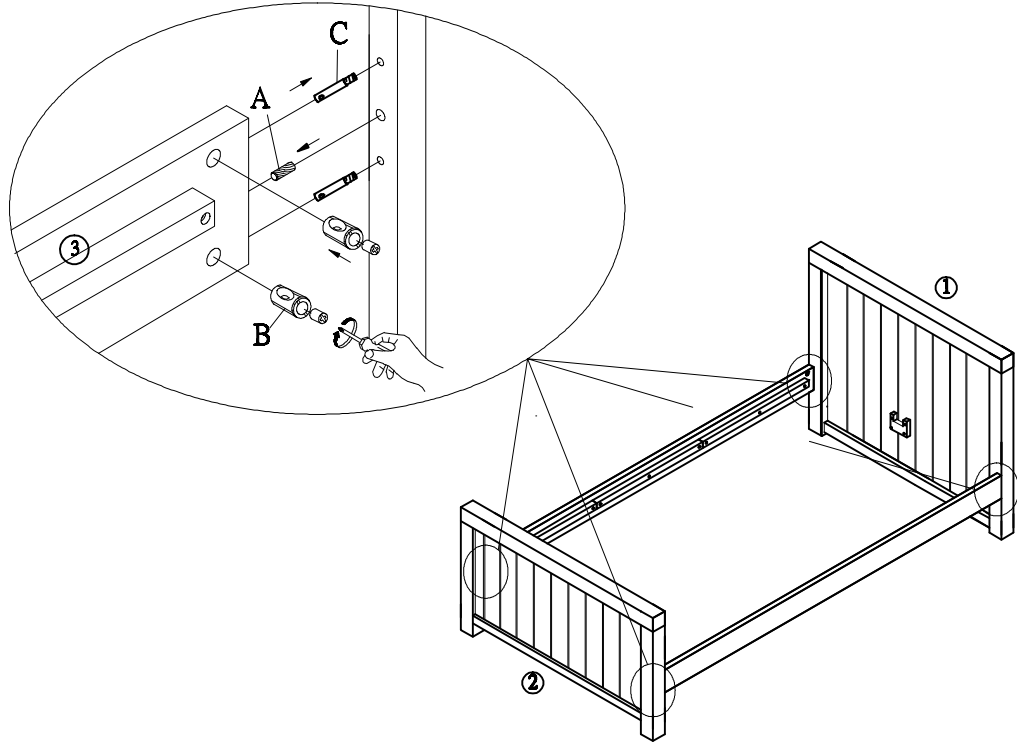
## FINAL



# ASSEMBLY INSTRUCTION

ITEM#: SHAHAR BED 120 x 190 CM (SIDE BED 18 CM)

## STEP 1



## STEP 2

