



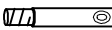

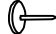


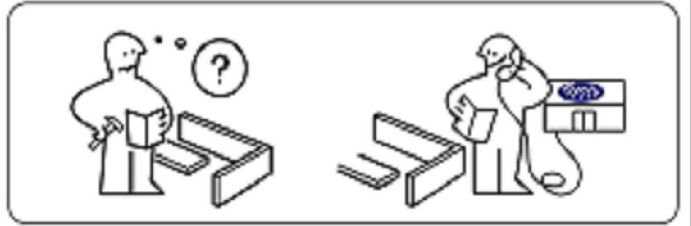
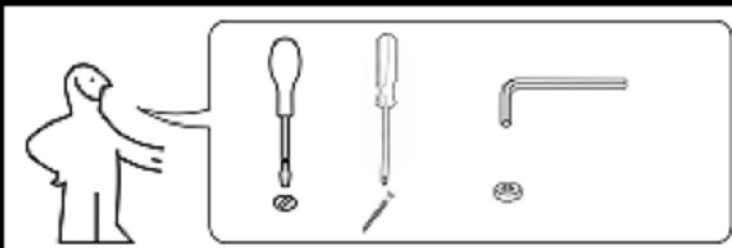
ASSEMBLY INSTRUCTION

ITEM#: ROTEM BED 120 x 190 CM (SIDE BED 18CM)

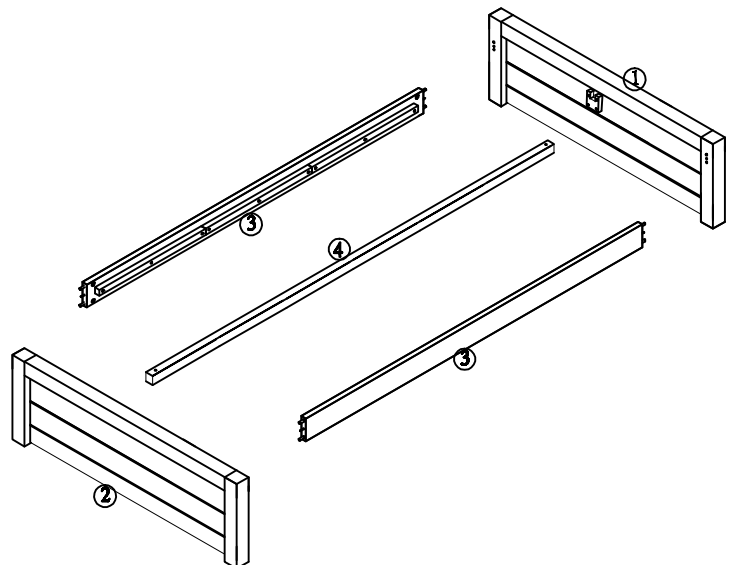
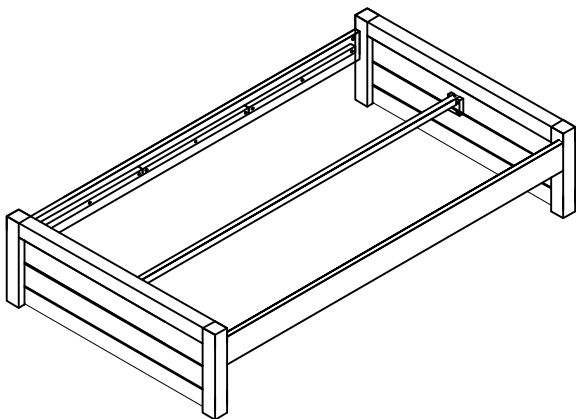
Thank you for purchasing this quality product. Be sure to check all packing material carefully for small parts, which may have come loose inside the carton during shipment. Identify and count all parts and compare with the parts list below.

PARTS IDENTIFICATION	
1	1 PC
2	1 PC
3	2 PCS
4	1 PC

HARDWARE LIST			
A		Ø8x40mm	4 PCS
B		Ø16 x 20mm	8 PCS
C		Ø10 x 48mm	8 PCS
D		4 x 55 mm	2 PCS
E			4 PCS



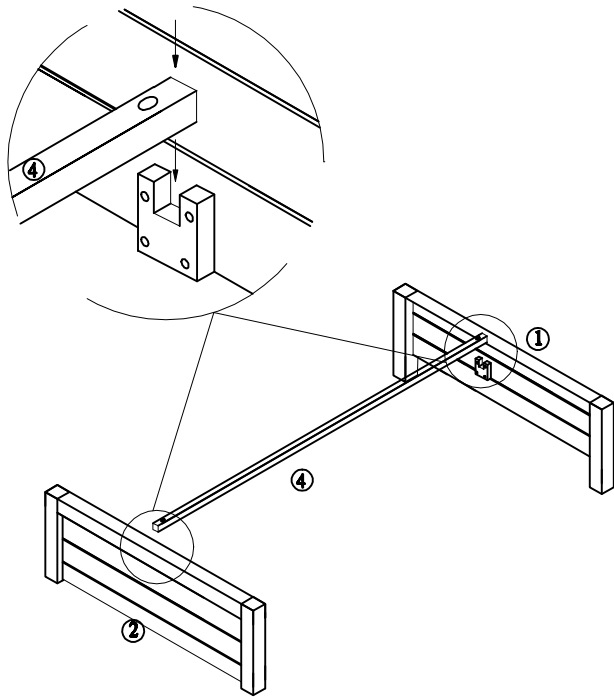
FINAL



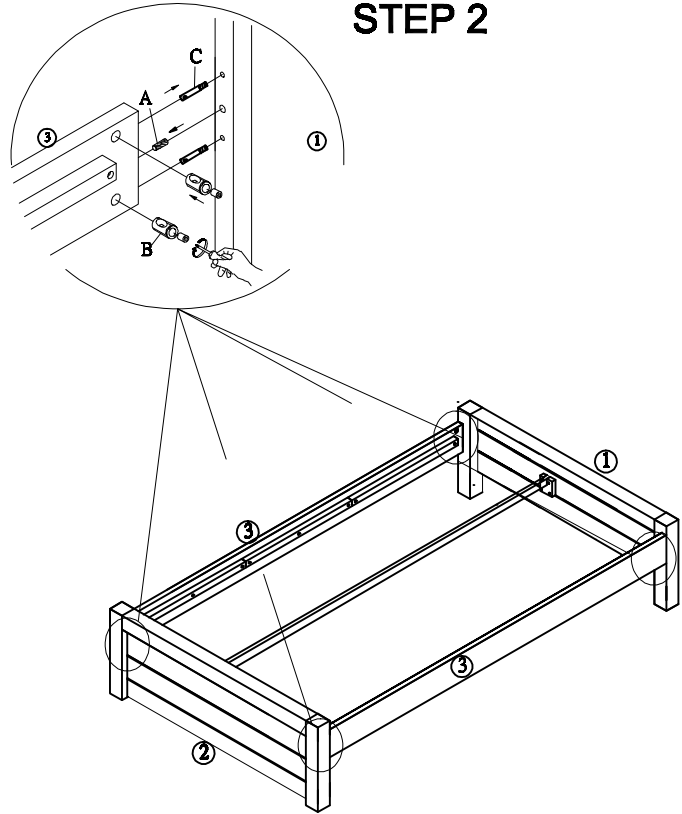
ASSEMBLY INSTRUCTION

ITEM#: ROTEM BED 120 x 190 CM (SIDE BED 18CM)

STEP 1



STEP 2



STEP 3

