



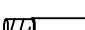


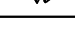

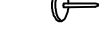


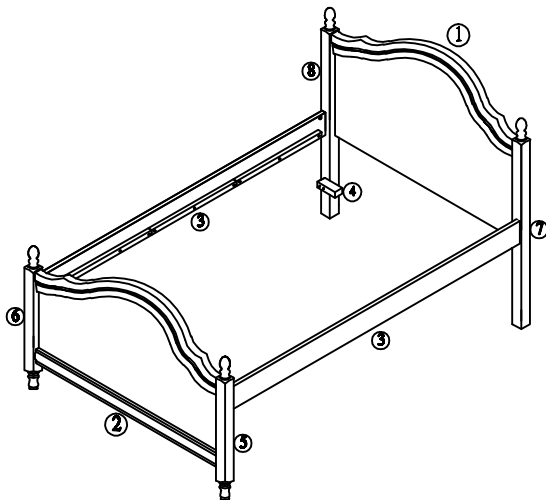
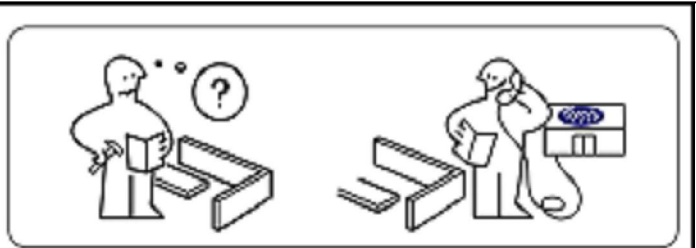
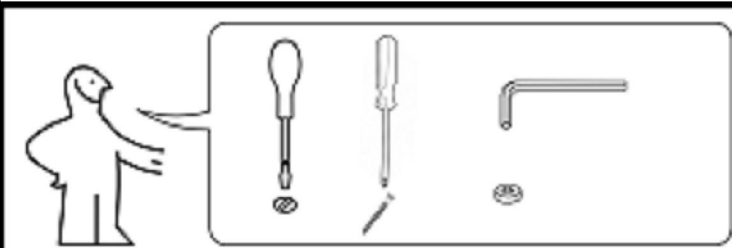
ASSEMBLY INSTRUCTION

NOYA BED 90 x 190 CM (SIDE BED 11CM)

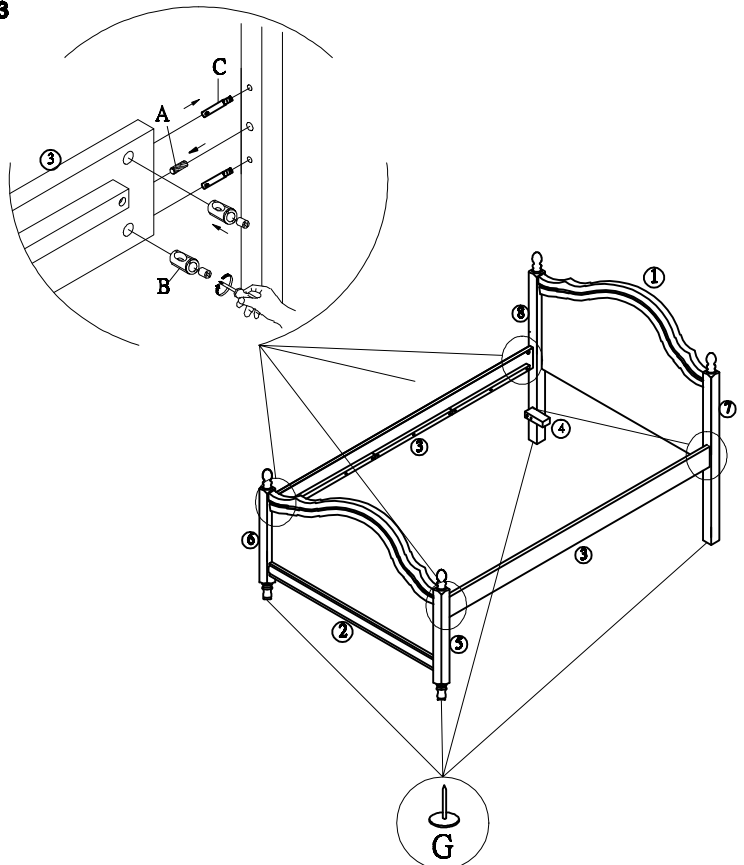
Thank you for purchasing this quality product. Be sure to check all packing material carefully for small parts, which may have come loose inside the carton during shipment. Identify and count all parts and compare with the parts list below.

PARTS IDENTIFICATION	
1	1 PC
2	1 PC
3	2 PCS
4	2 PCS
5	1 PC
6	1 PC
7	1 PC
8	1 PC

HARDWARE LIST			
A		Ø8x40mm	14 PCS
B		Ø16 x 20mm	8 PCS
C		Ø10 x 48mm	8 PCS
D		4 x 50 mm	4 PCS
E			14 PCS
F			14 PCS
G			4 PCS
H			1 PCS



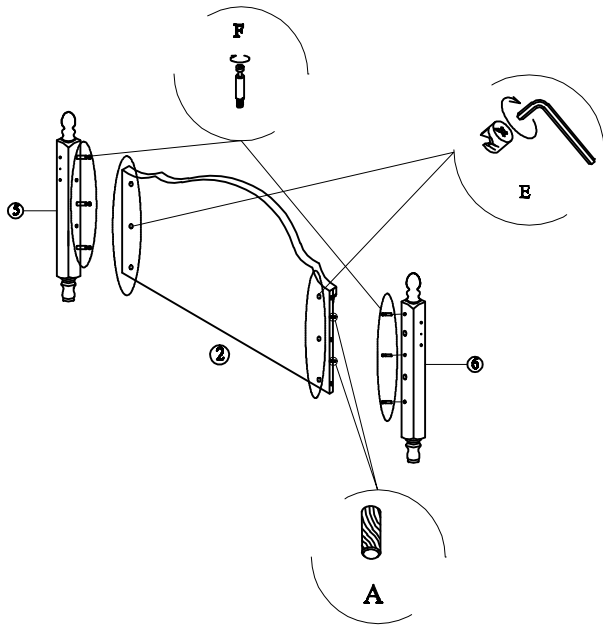
STEP 3



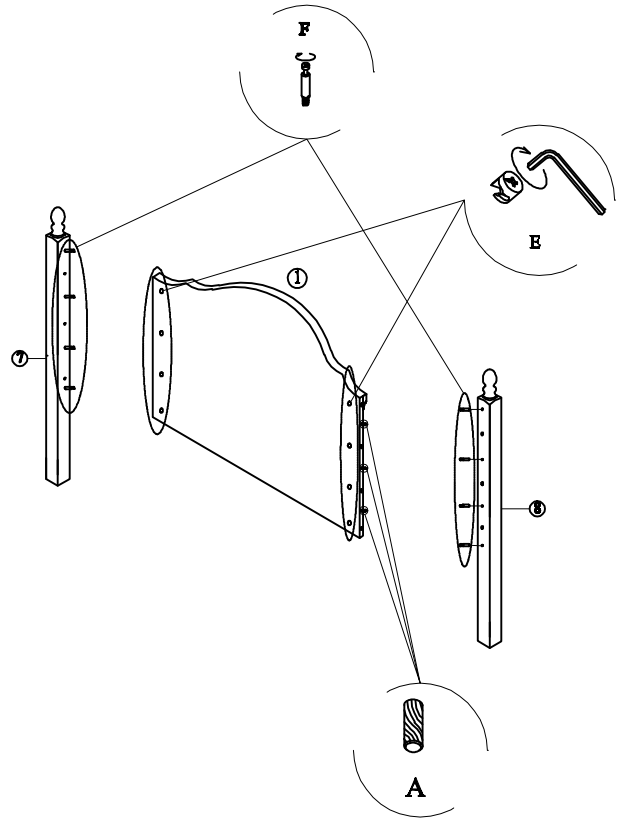
ASSEMBLY INSTRUCTION

NOYA BED 90 x 190 CM (SIDE BED 11CM)

STEP 1



STEP 2



STEP 4

