

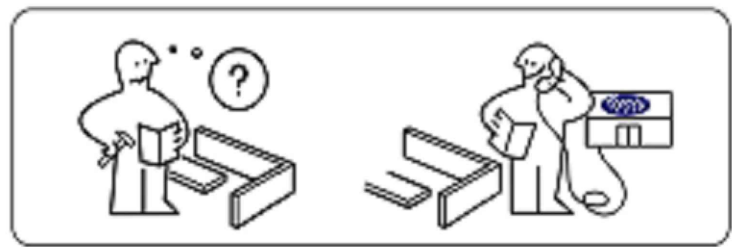
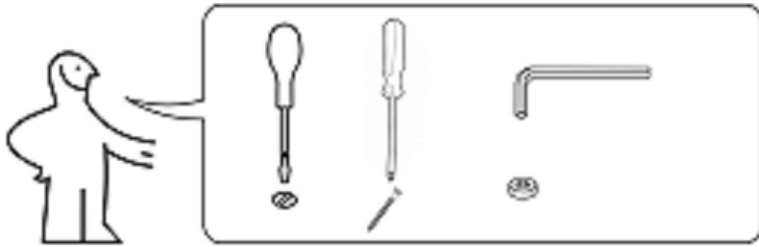


ASSEMBLY INSTRUCTION

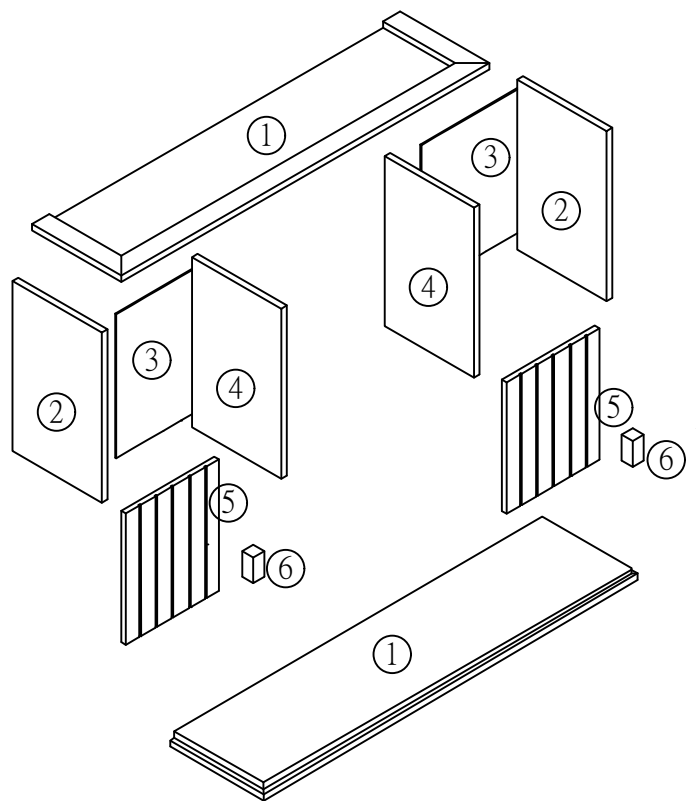
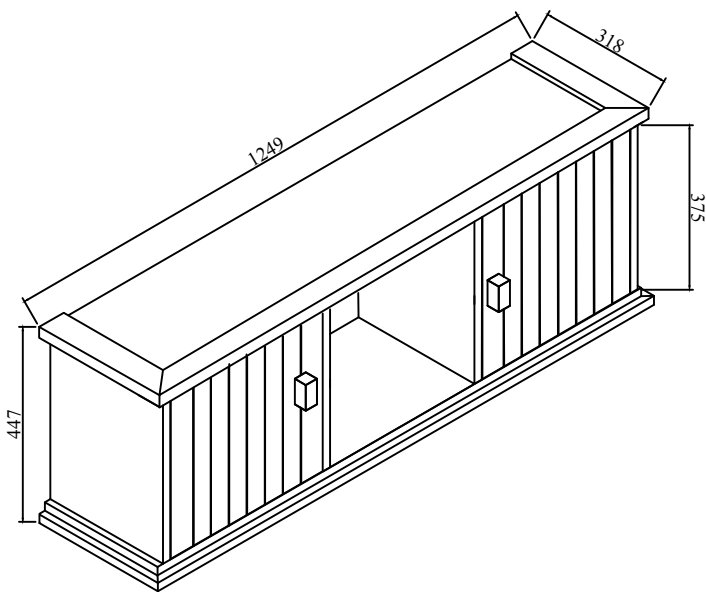
ITEM#: SHAHAR CUBBIES

PARTS IDENTIFICATION	
1	2 PCS
2	2 PCS
3	2 PCS
4	2 PCS
5	2 PCS
6	2 PCS

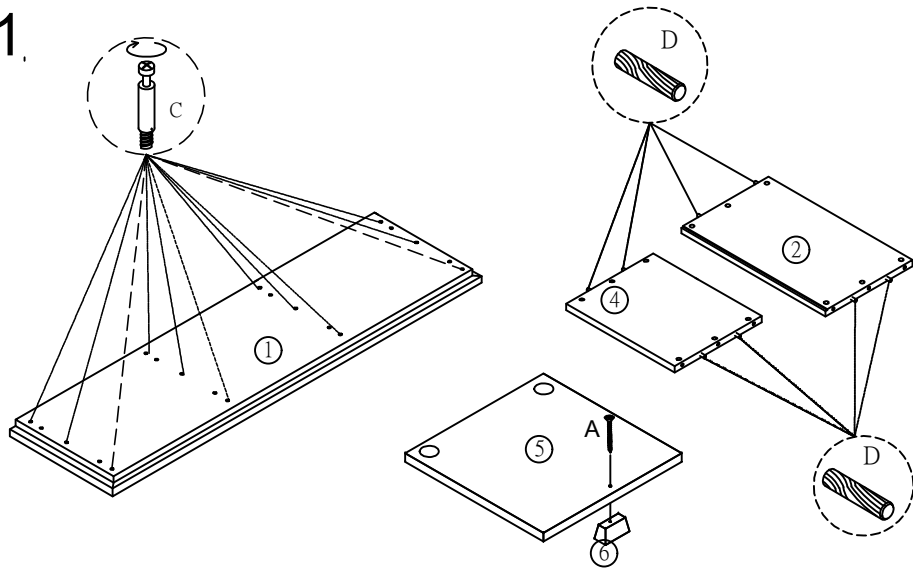
A		4 x 35	2 PCS	J		L=8x50	4 PCS
B			24 PCS	K		Ø	4 PCS
C			24 PCS	L		Ø5x50	4 PCS
D		8x40	16 PCS	M			4 PCS
E		3.5X18	24 PCS	N		3.5x15	16 PCS
F		3X20	4 PCS				
G			4 PCS				
H			2 PCS				
I			1 PC				



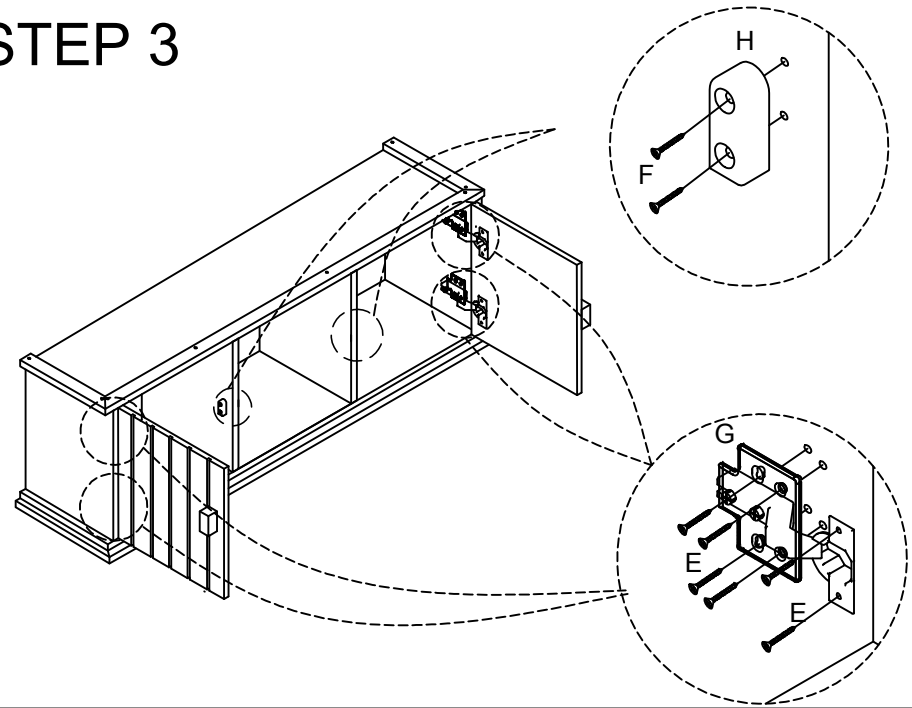
FINAL



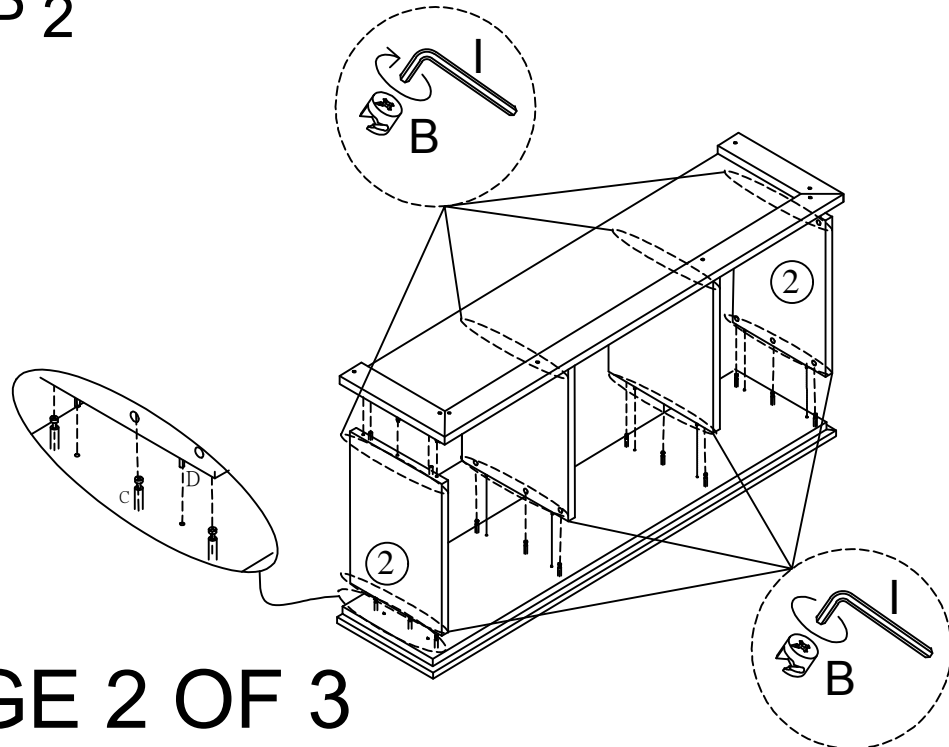
STEP 1



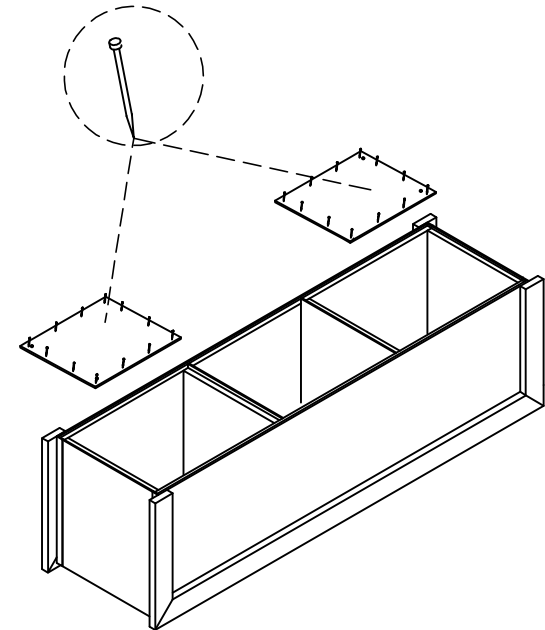
STEP 3



STEP 2

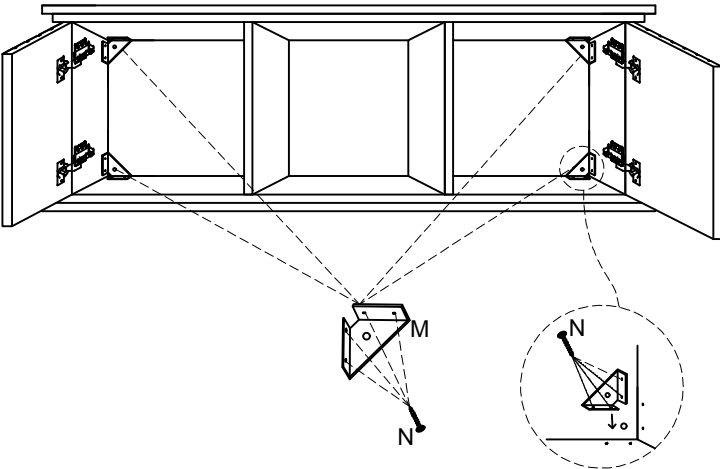


STEP 4



STEP 5

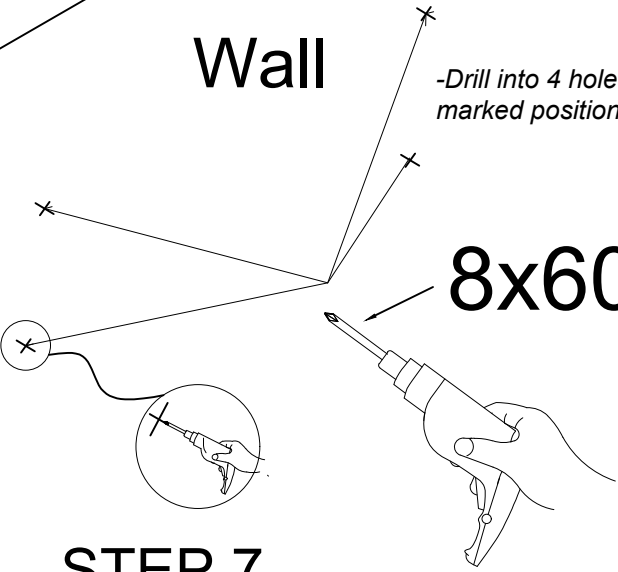
-Cath 4 past into the
bait drilled position



Wall

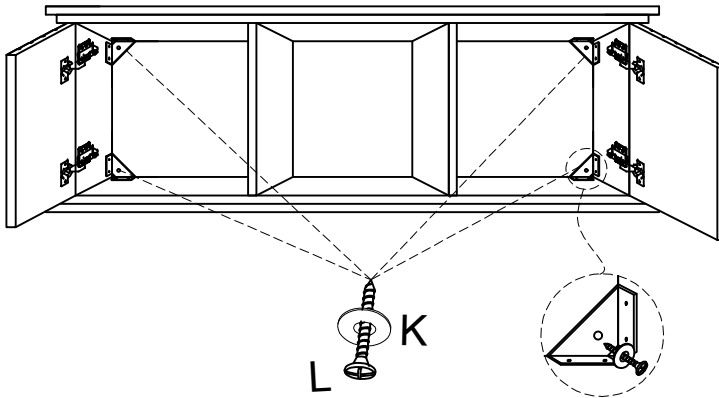
-Drill into 4 holes at
marked position

8x60



STEP 7

Wall



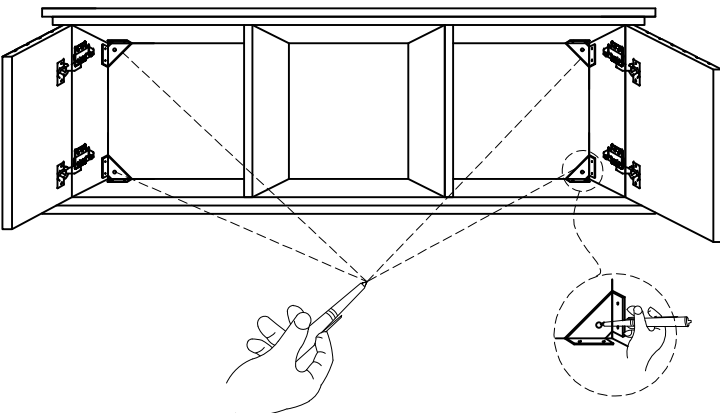
-Screw for wall
mounting

STEP 9

Wall

STEP 6

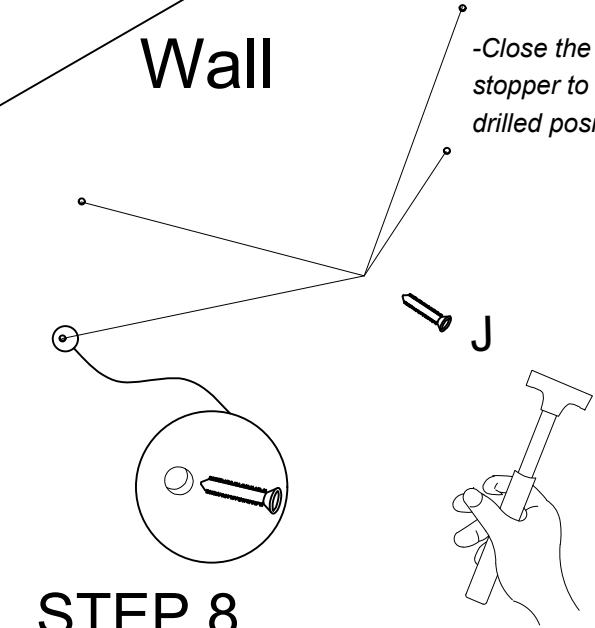
-Mark on the wall



Wall

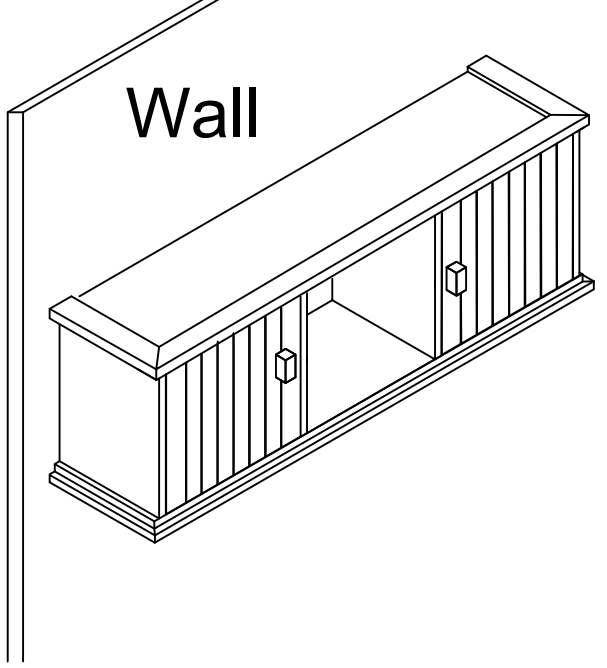
-Close the plastic
stopper to the
drilled position

J



STEP 8

Wall



STEP 10