



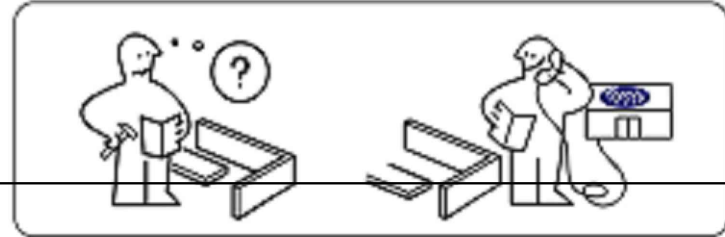
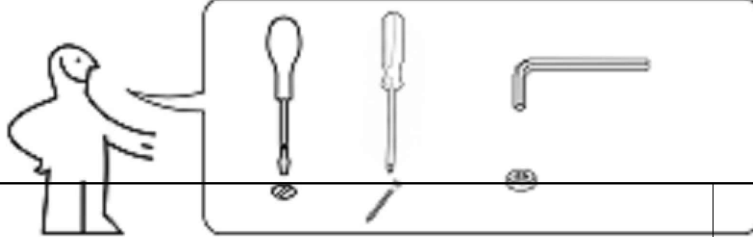
ASSEMBLY INSTRUCTION

ITEM#: OFIR STAGGERED CUBBIES

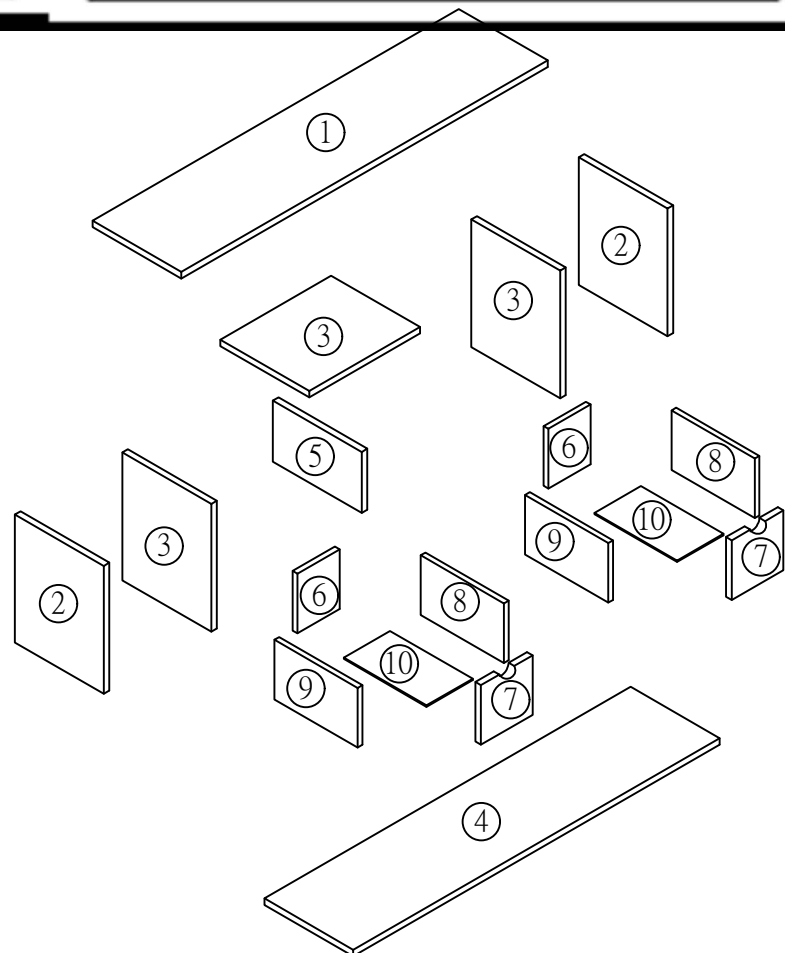
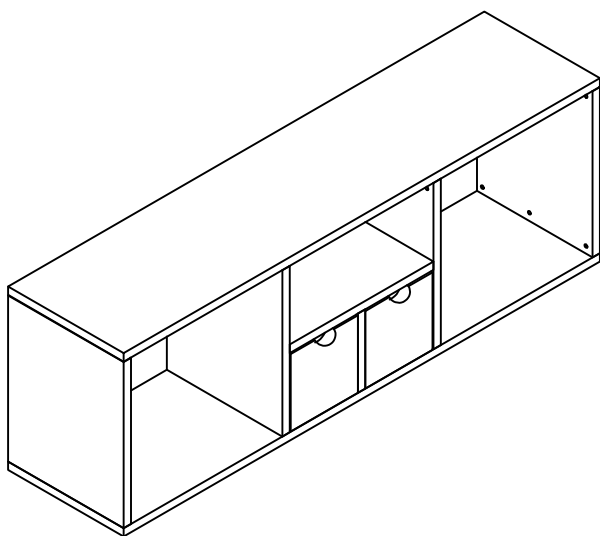
Thank you for purchasing this quality product. Be sure to check all packing material carefully for small parts, which may have come loose inside the carton during shipment. Identify and count all parts and compare with the parts list below.

A		4 x 35	8PCS	F		3.5x15	16PCS
B			44 PCS	G		L=50	4 PCS
C			44 PCS	H			4 PCS
D		8x40	32 PCS	I		Ø5x50	4 PCS
E			1 PCS	J			4 PCS

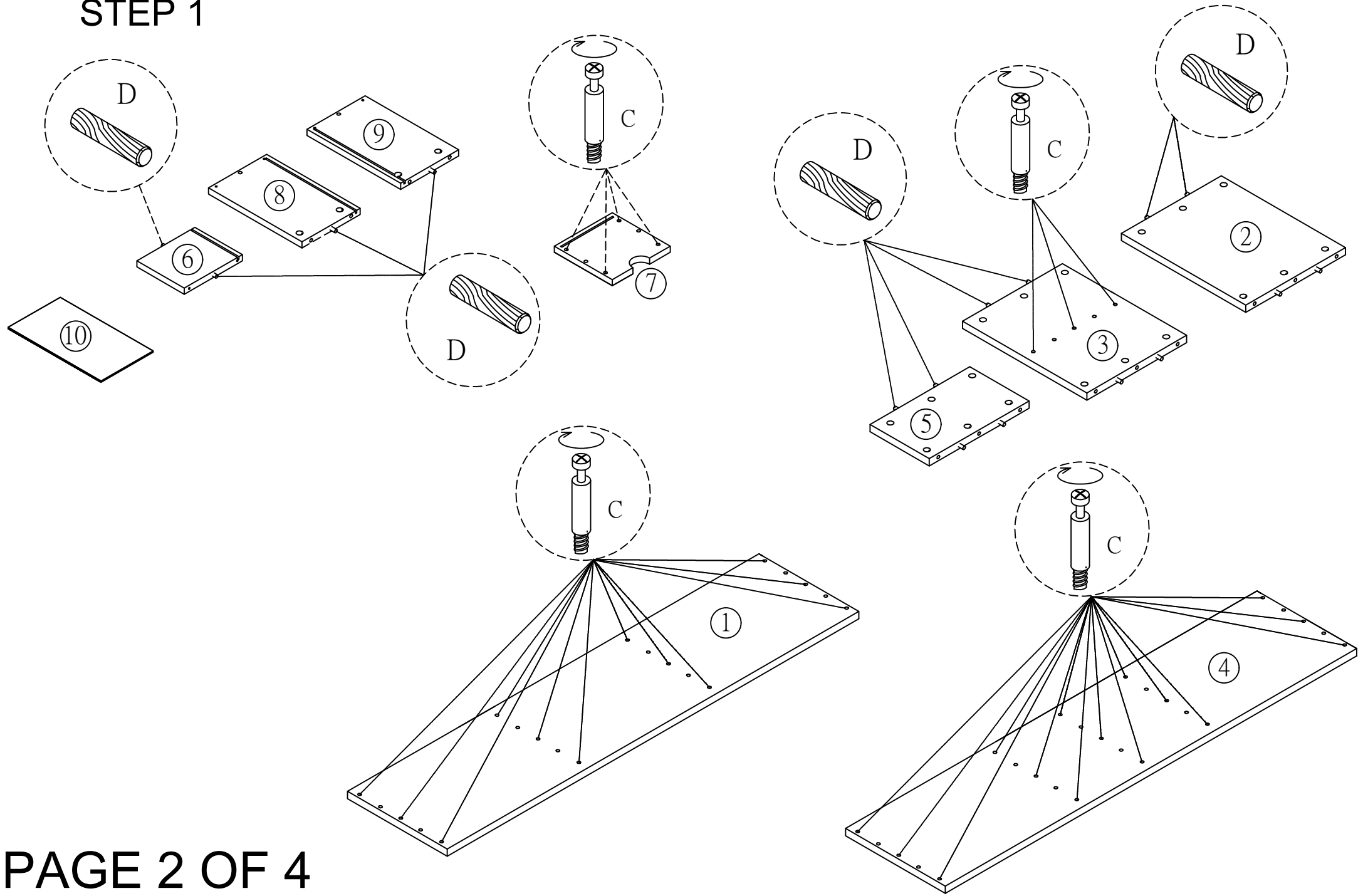
- ① = 1 PC
- ⑥ = 2 PC
- ② = 2 PC
- ⑦ = 2 PC
- ③ = 3 PC
- ⑧ = 2 PC
- ④ = 1 PC
- ⑨ = 2 PC
- ⑤ = 1 PC
- ⑩ = 2 PC



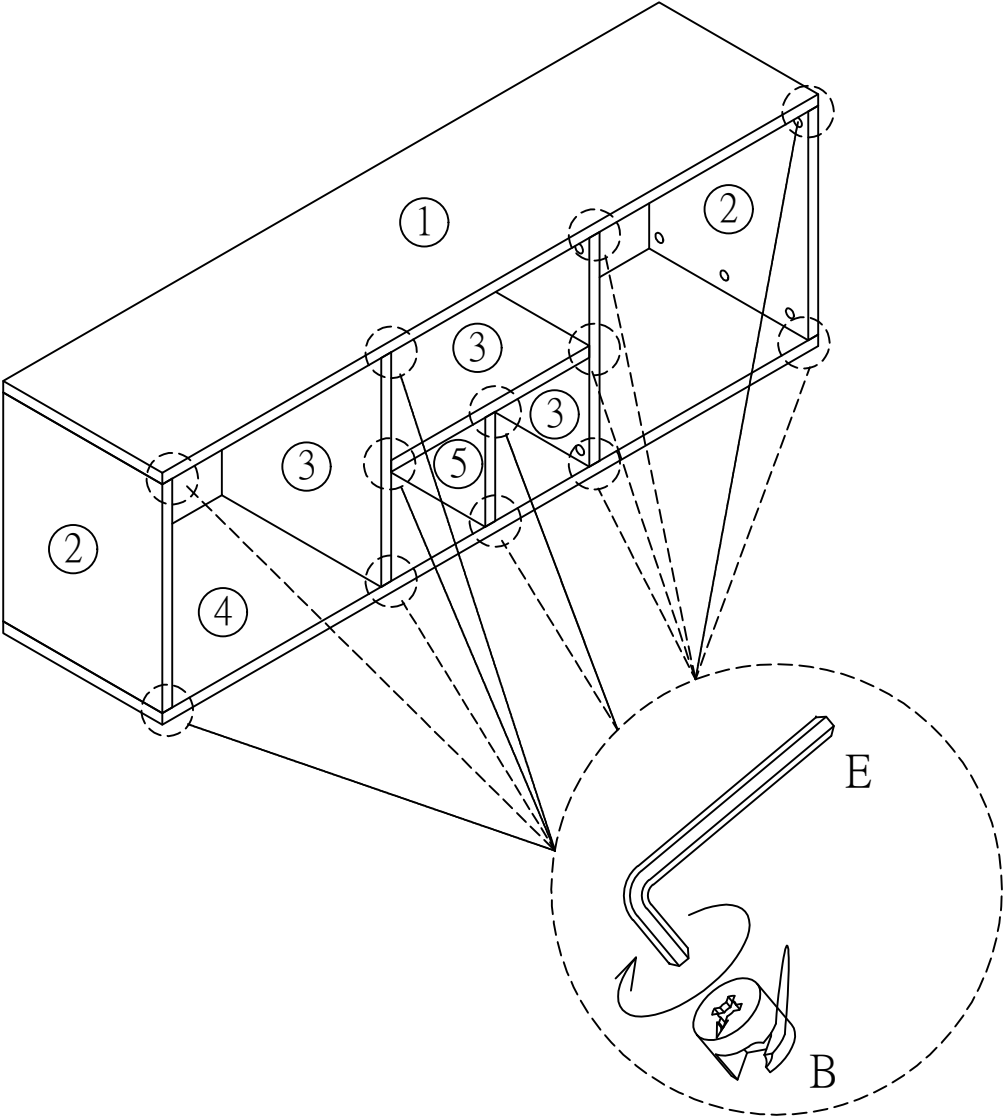
FINAL



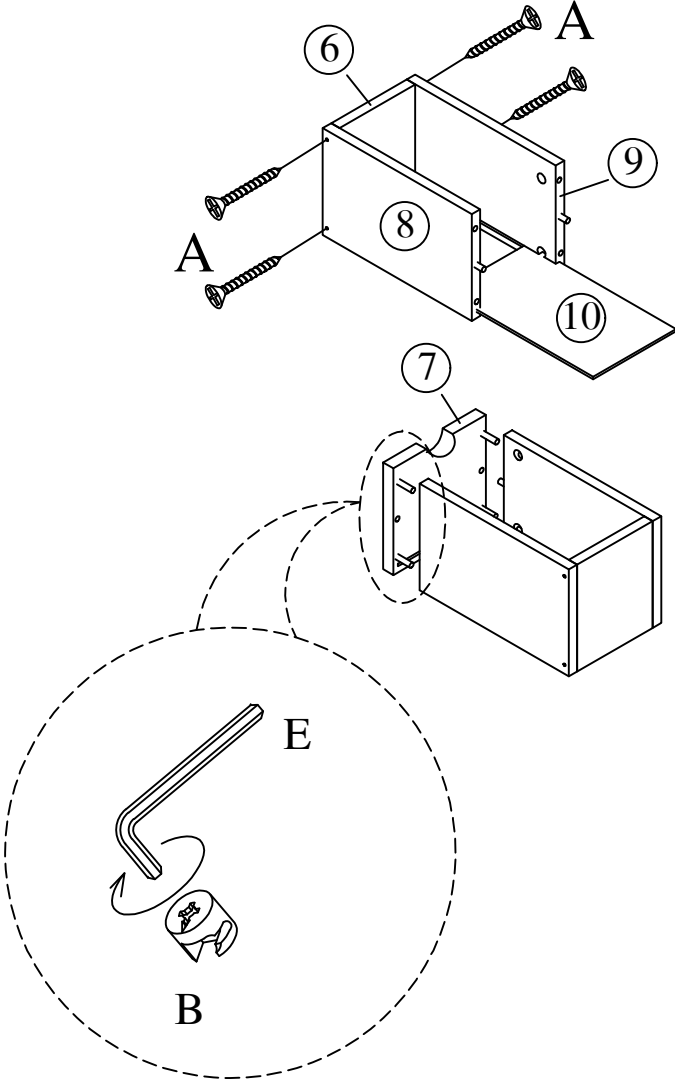
STEP 1

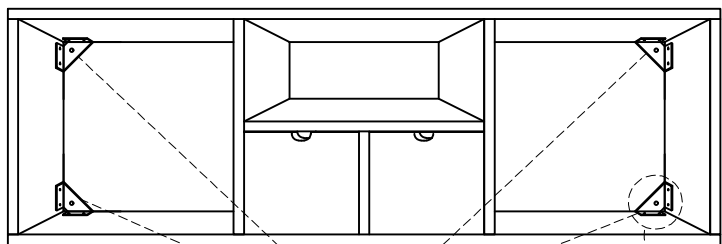


STEP 2

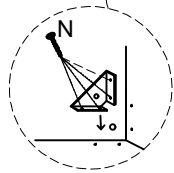
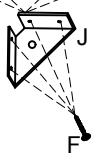


STEP 3



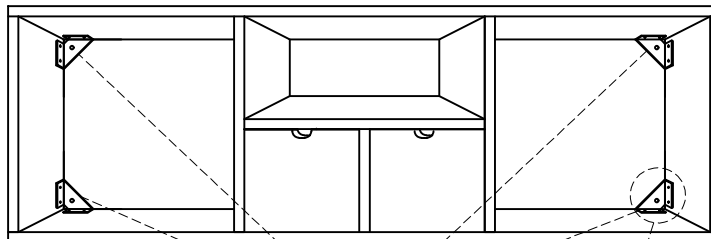


-Cath 4 past into the bait drilled postion

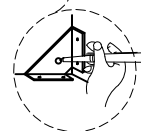


STEP 4

Wall



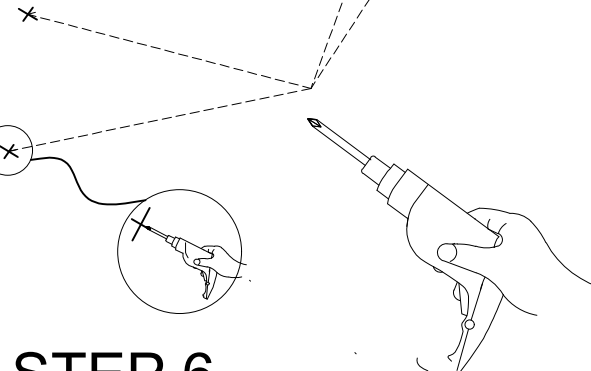
-Mark on the wall



STEP 5

Wall

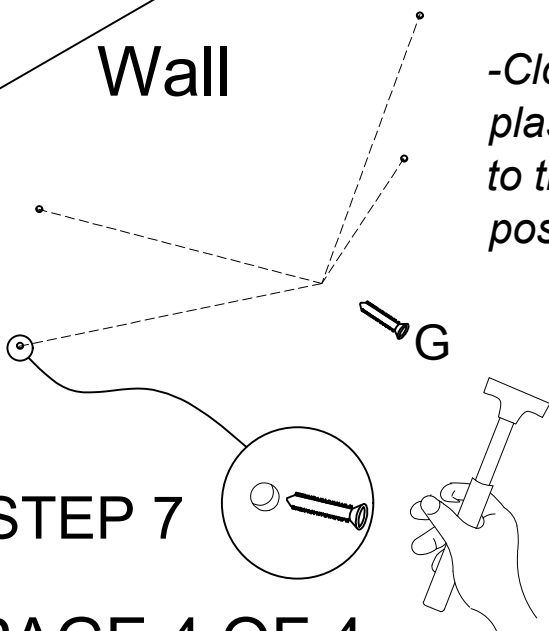
-Drill into 4 holes at marked position



STEP 6

Wall

-Close the plastic stopper to the drilled position

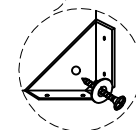
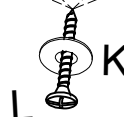
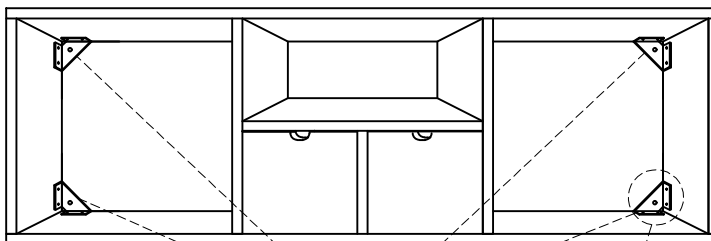


STEP 7

PAGE 4 OF 4

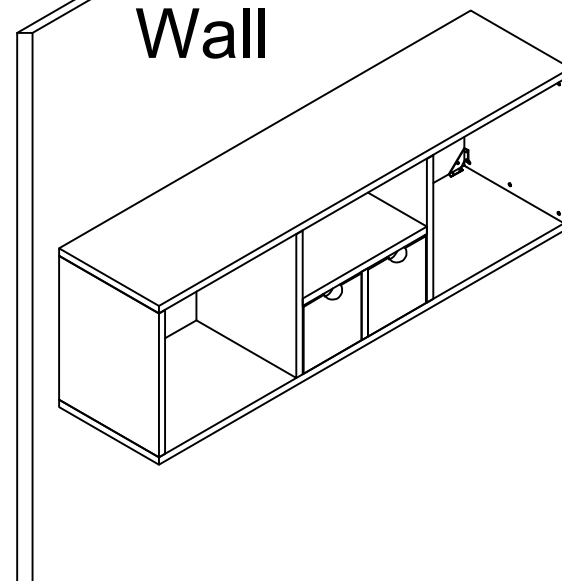
Wall

-Close the plastic stopper to the drilled position



STEP 8

Wall



STEP 9