



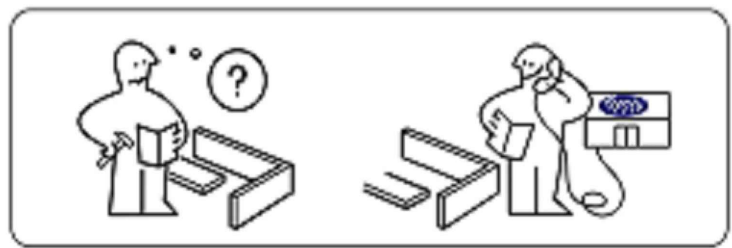
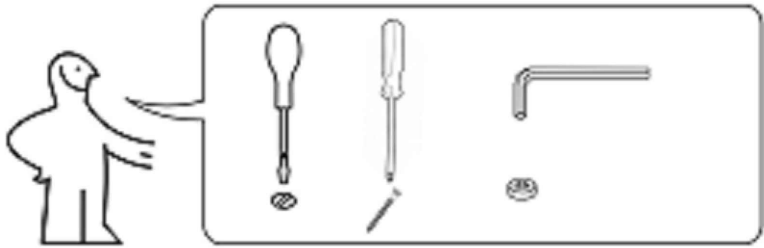
ASSEMBLY INSTRUCTION

ITEM#: **GALY CUBBIES**

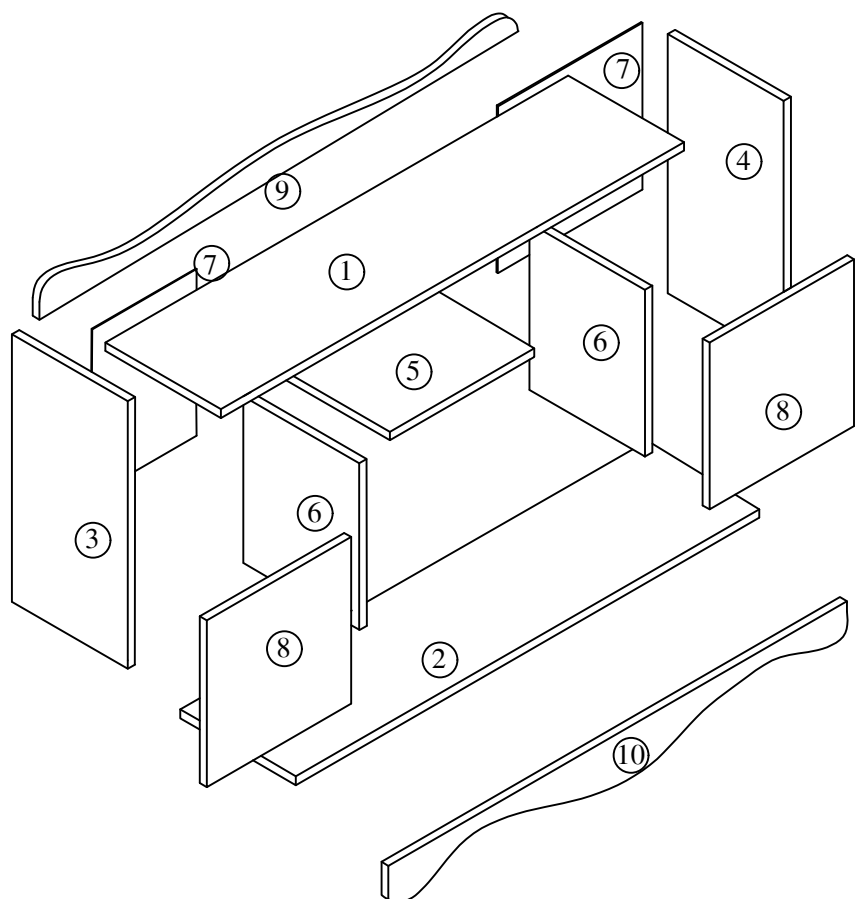
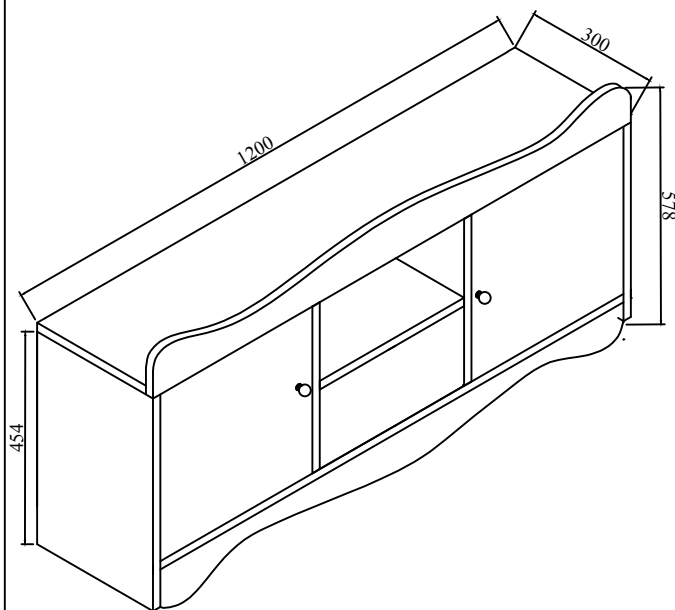
PARTS IDENTIFICATION

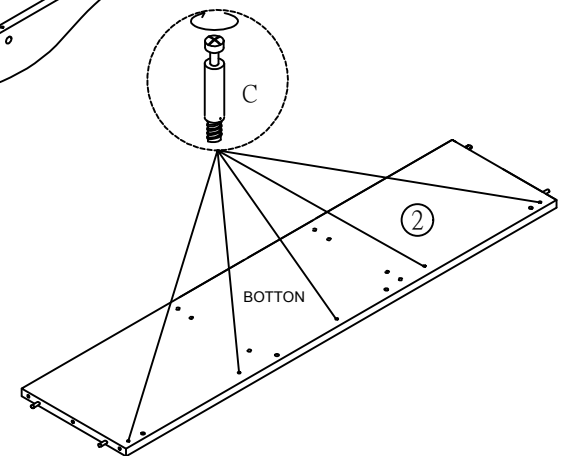
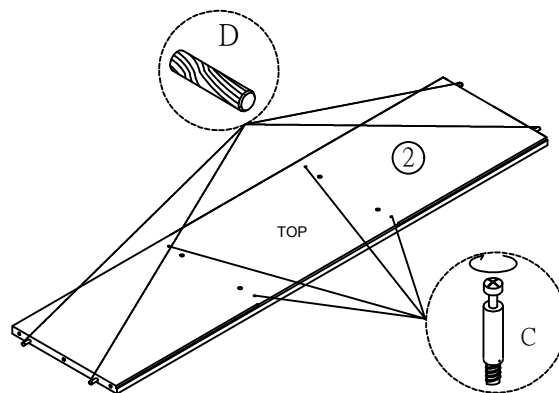
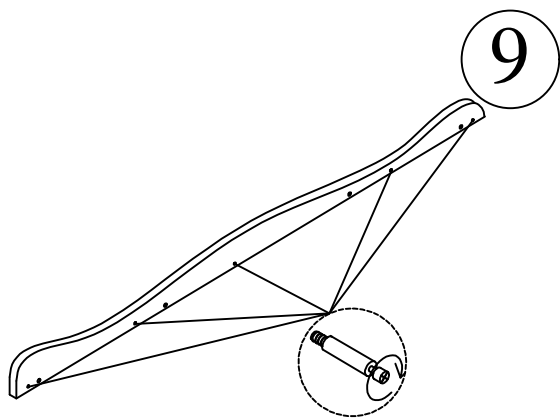
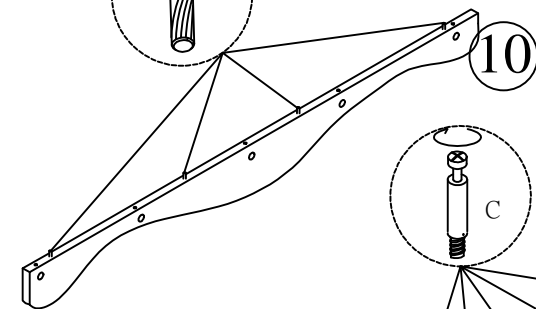
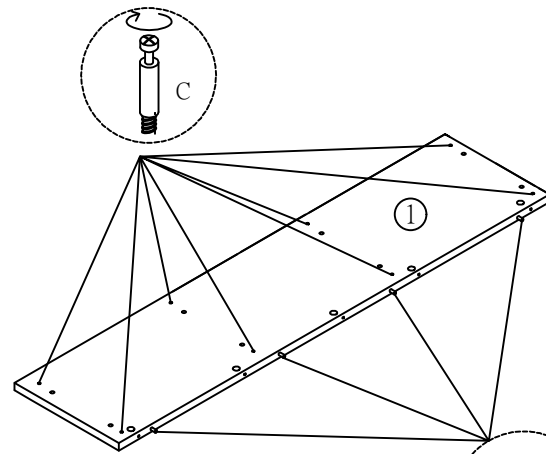
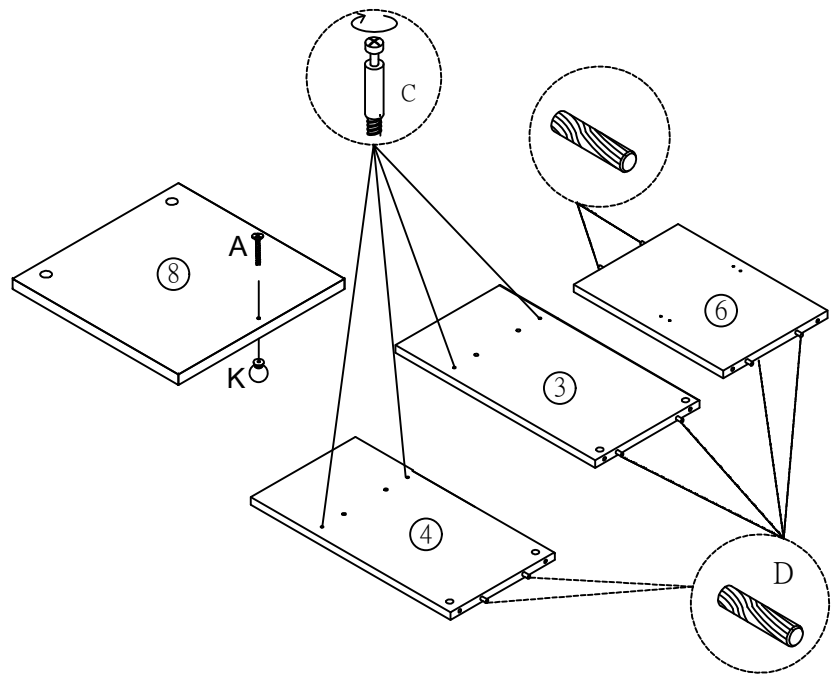
1	1 PC
2	1 PC
3	1 PC
4	1 PC
5	1 PC
6	2 PCS
7	2 PCS
8	2 PCS
9	1 PC
10	1 PC

A	M4X25	2 PCS	L	3.5x15	16PCS
B		26 PCS	M	L=8x50	4 PCS
C		26 PCS	N		4 PCS
D	8x40	24 PCS	O	Ø5x50	4 PCS
E	3.5X18	24 PCS	P		4 PCS
F	3X20	4 PCS			
G		1 PC			
H		2 PCS			
I		4 PCS			
J		4 PCS			
K		2 PCS			

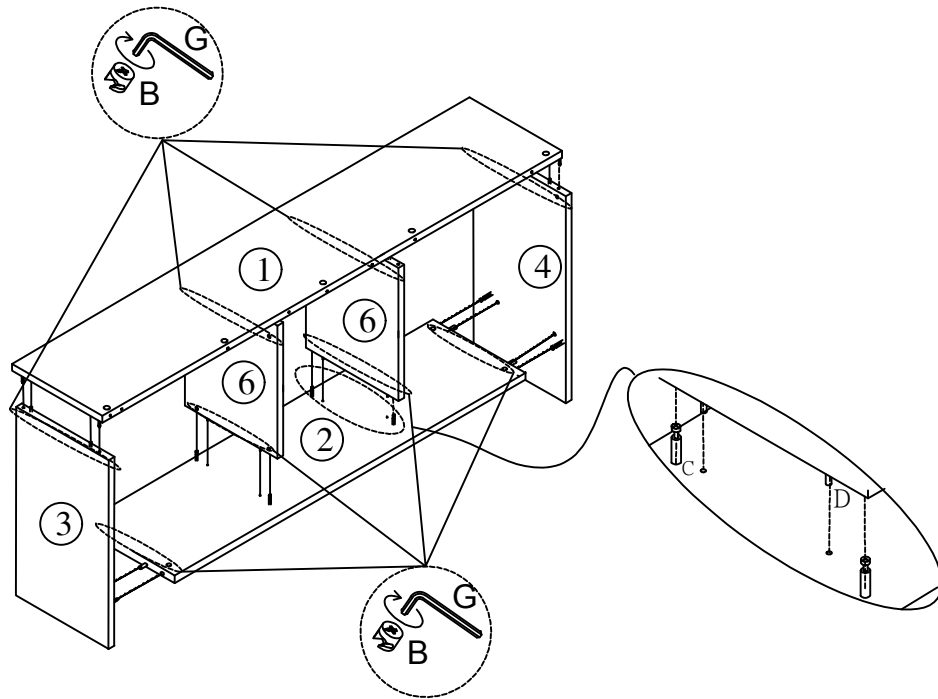


FINAL

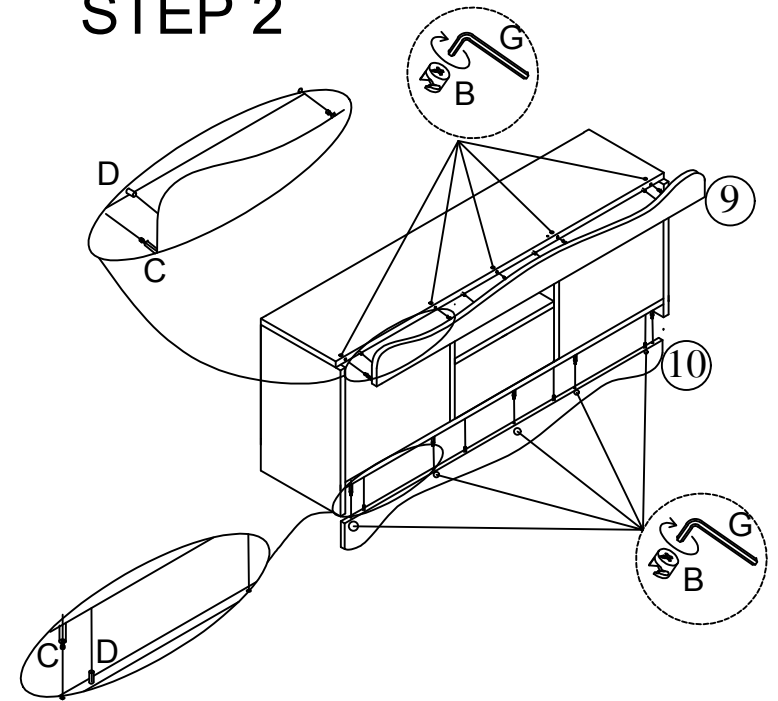




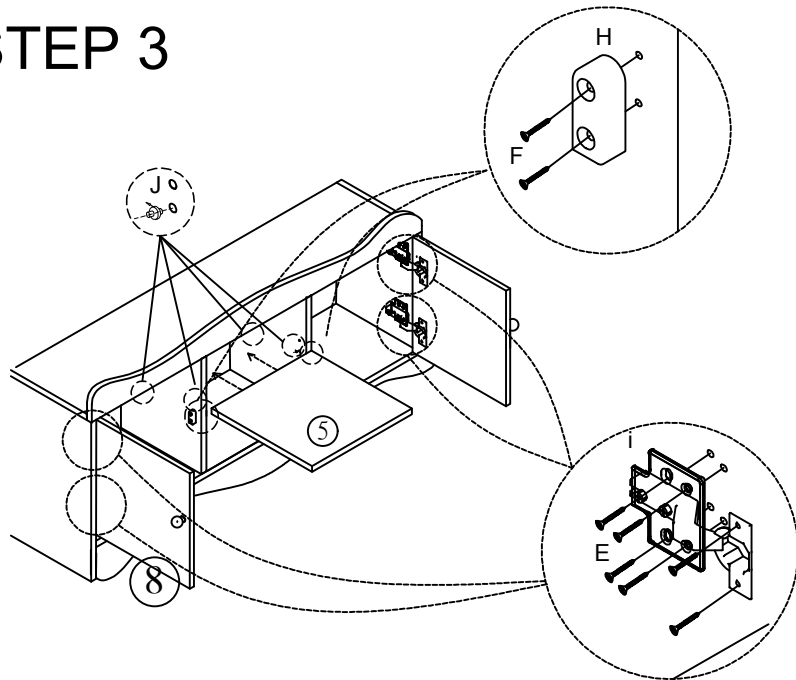
STEP 1



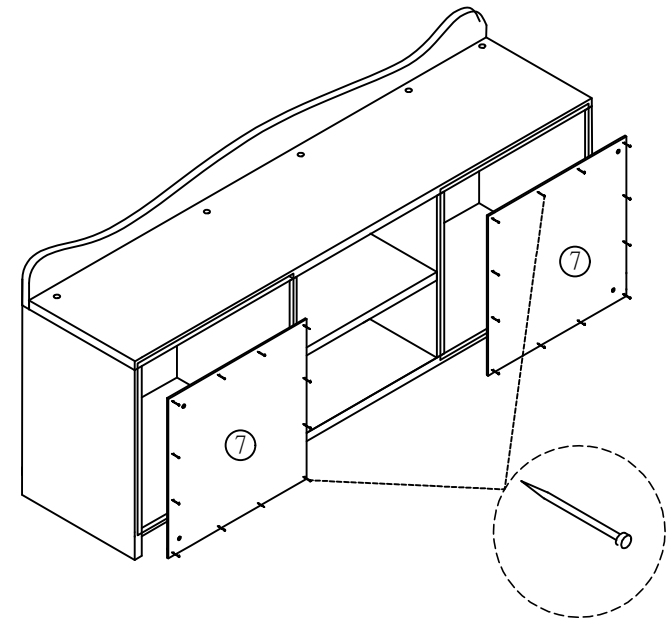
STEP 2



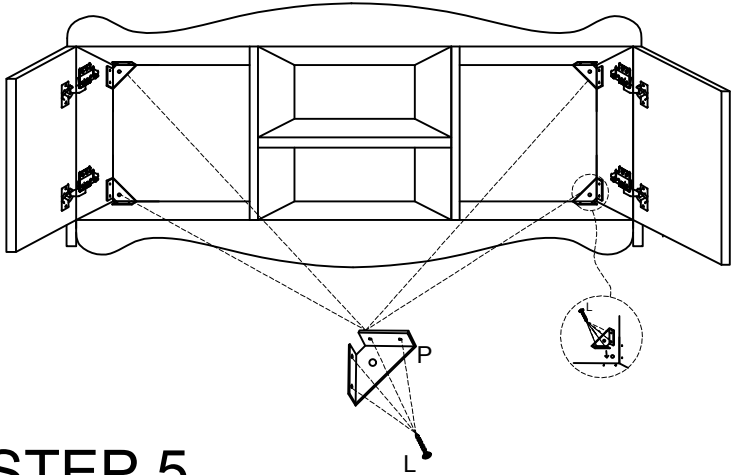
STEP 3



STEP 4

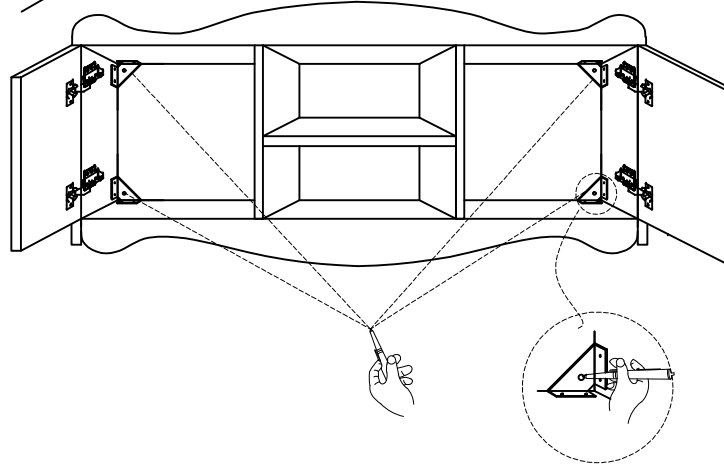


-Cath 4 past into the
bait drilled postion



STEP 5

Wall

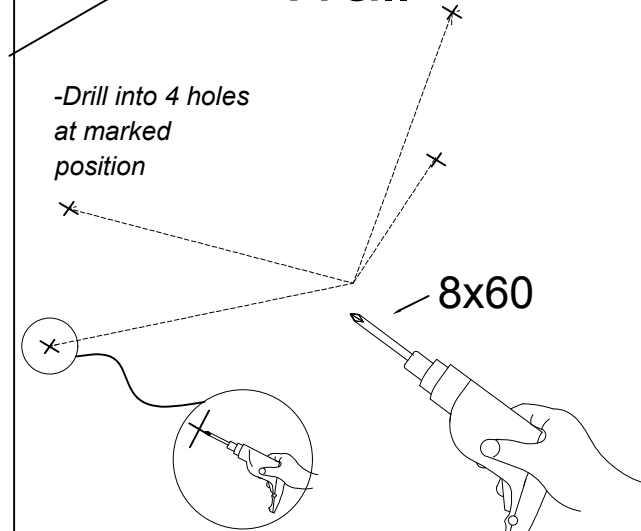


STEP 6

-Mark on the wall

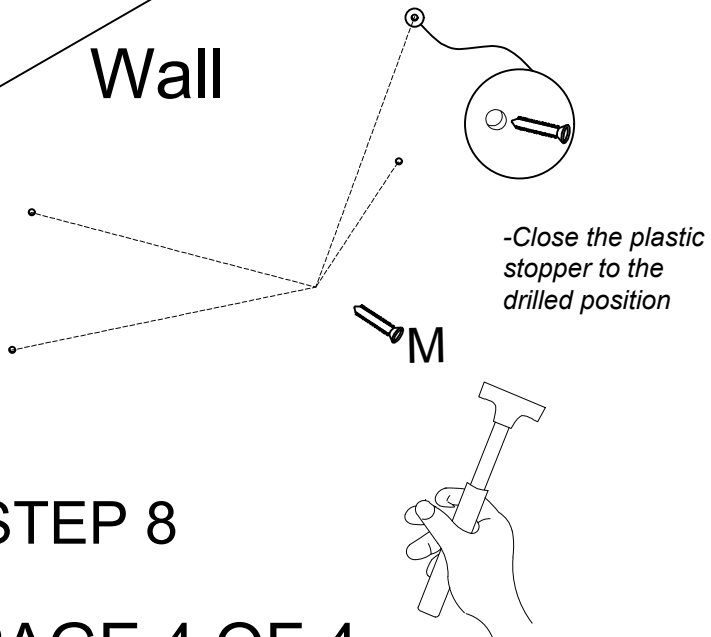
Wall

-Drill into 4 holes
at marked
position



STEP 7

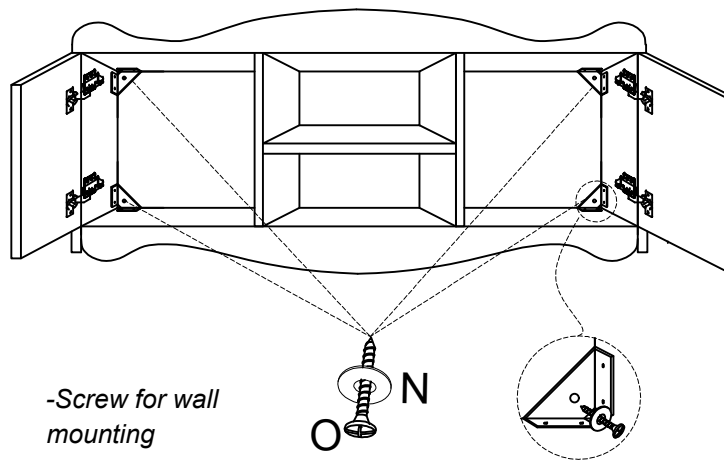
Wall



STEP 8

-Close the plastic
stopper to the
drilled position

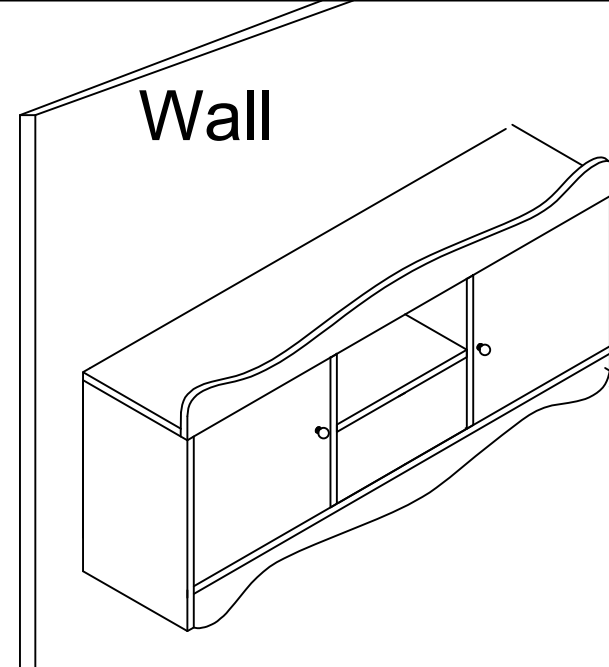
Wall



-Screw for wall
mounting

STEP 9

Wall



STEP 10