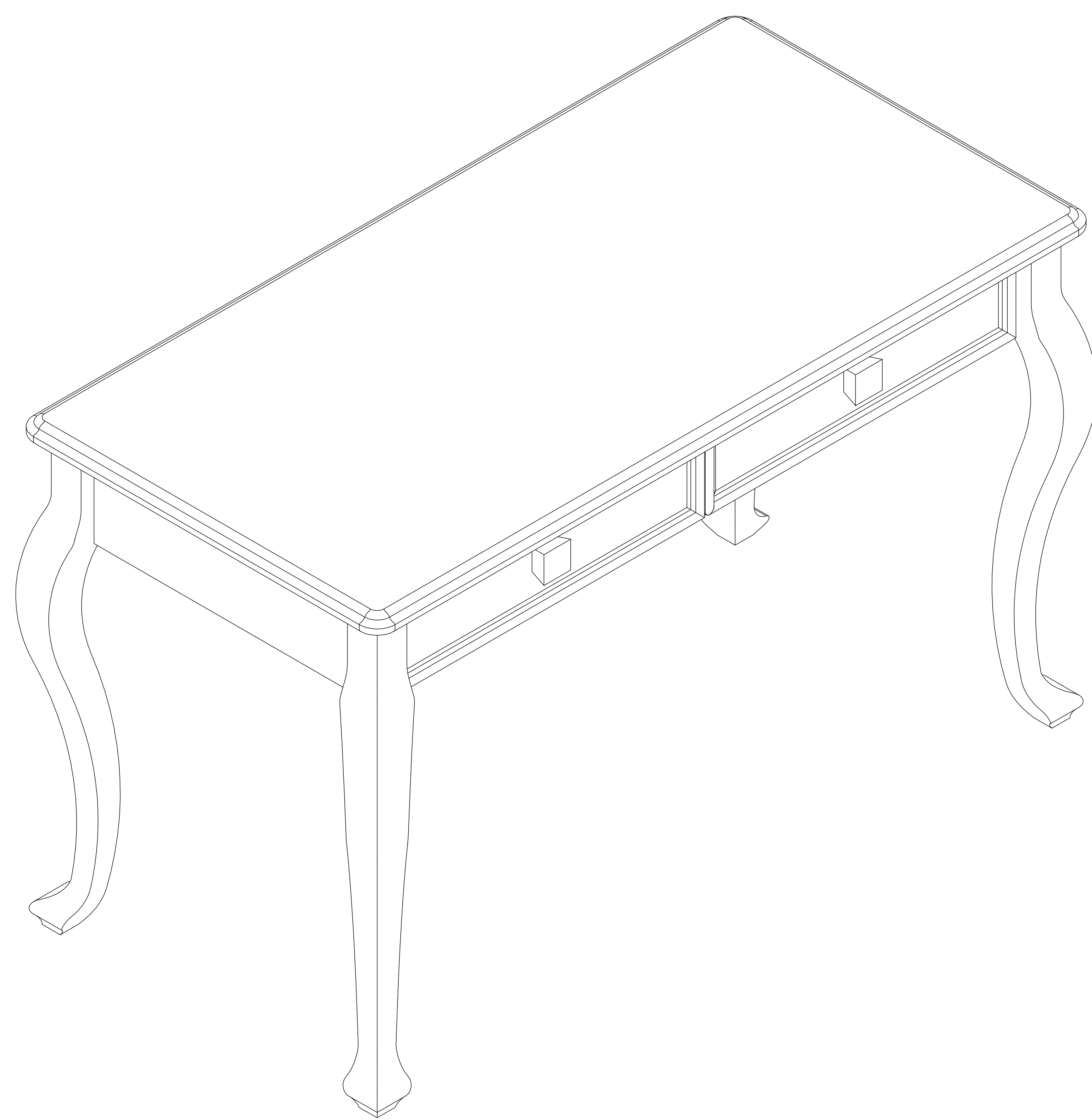


ASSEMBLY INSTRUCTION

GA-MT008



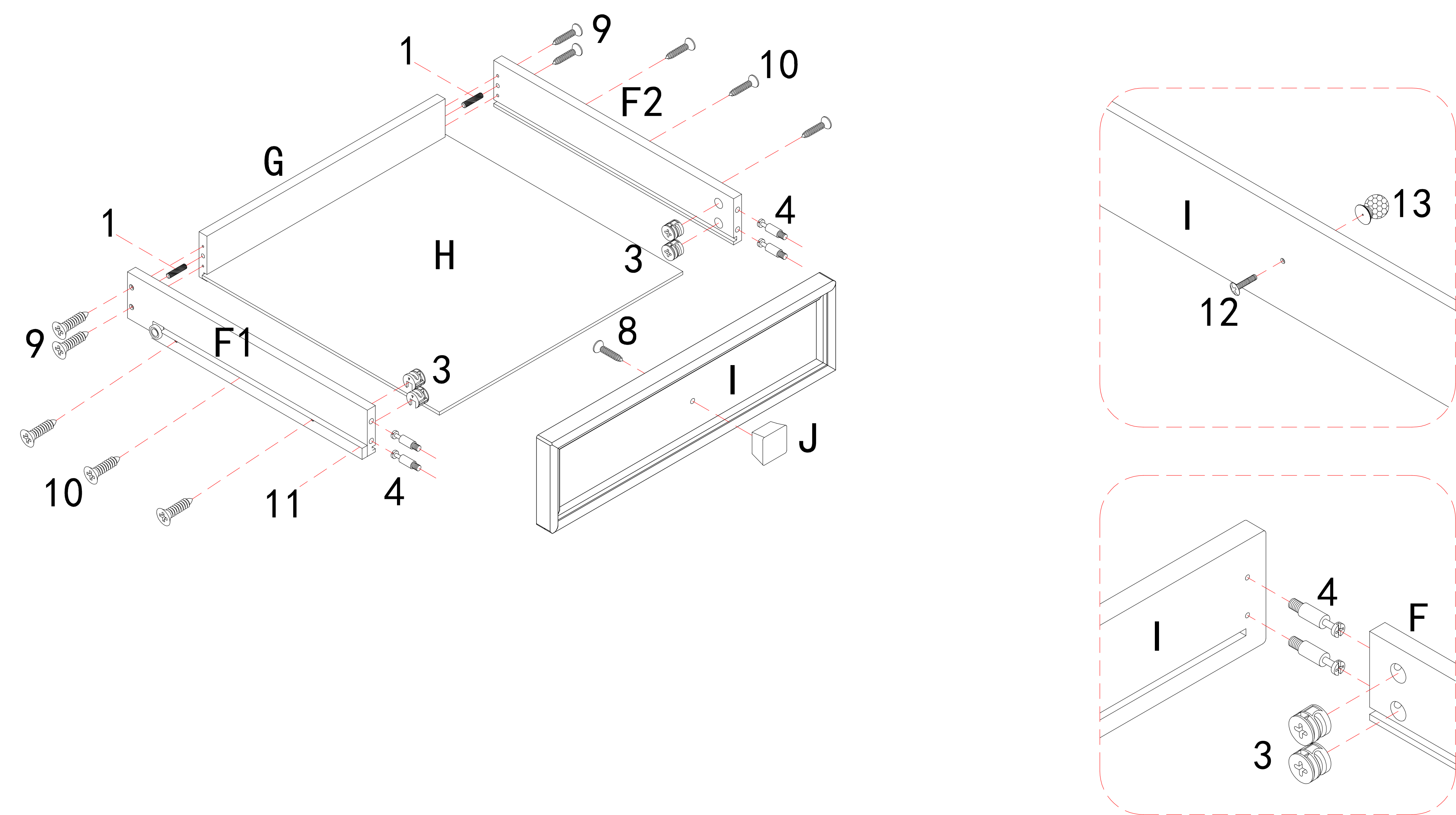
PLEASE CHECK THE HARDWARE LIKE THIS:

1# φ6*20mm 4PCS	2# φ8*40mm 2PCS	3# φ15*12mm 8PCS	4# φ7*45mm 8PCS	5# φ3/4*55mm 6PCS	6# φ8*50mm 3PCS
7# 13# φ 1/4*127mm 8PCS	8# 8# φ4*30mm 2PCS	9# 8# φ4*40mm 8PCS	10# 7# φ3.5*16mm 24PCS	11# 18" 2SETS	12# φ4*20mm 2PCS
13# φ30*38mm 2PCS	14# D=4mm 1PC				

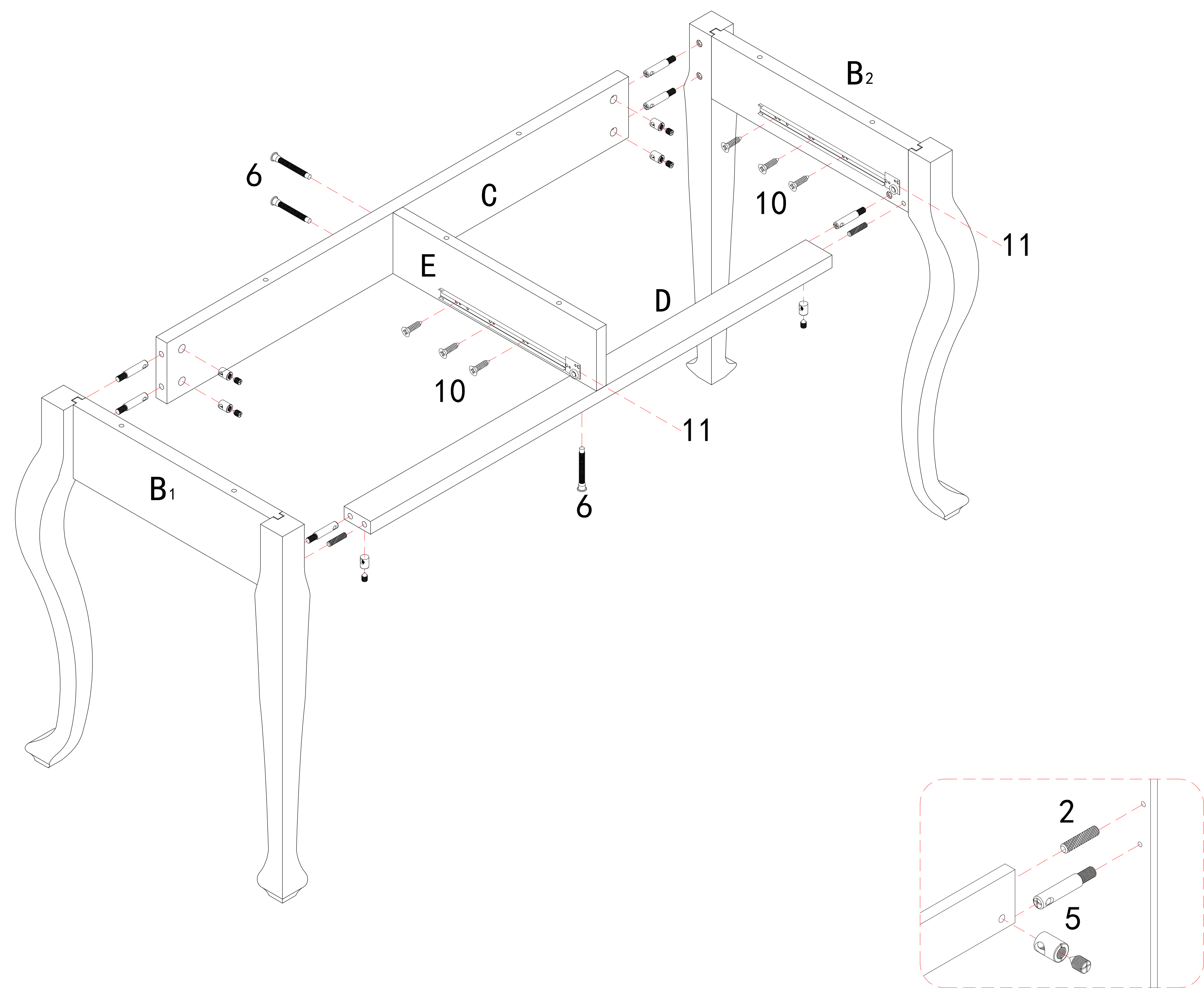
ALL THE PARTS AS BELOW:

A 1PC	B 2PCS	C 1PC	D 1PC	E 1PC	F 4PCS
G 2PCS	H 2PCS	I 2PCS	J 2PCS		

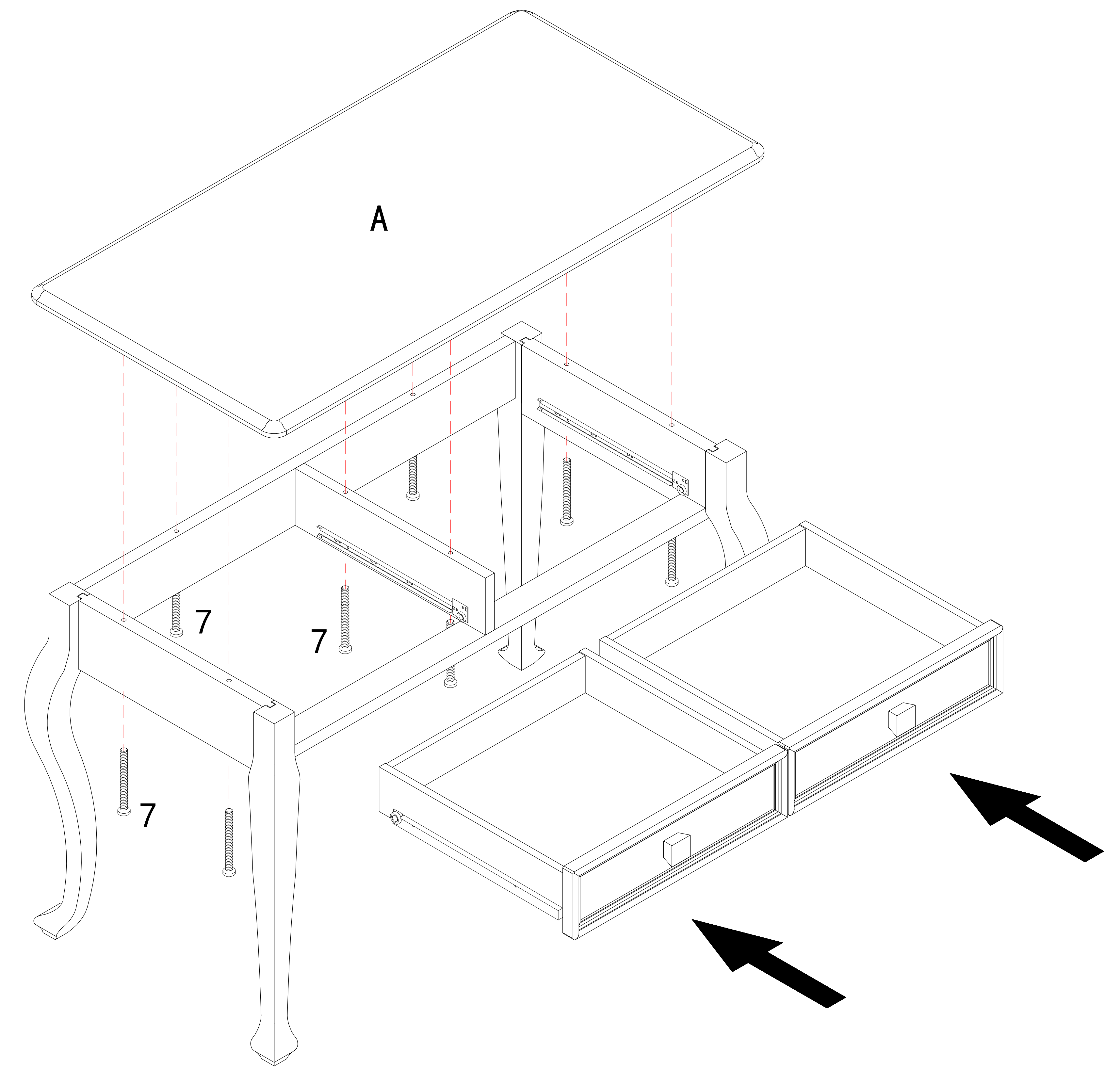
1



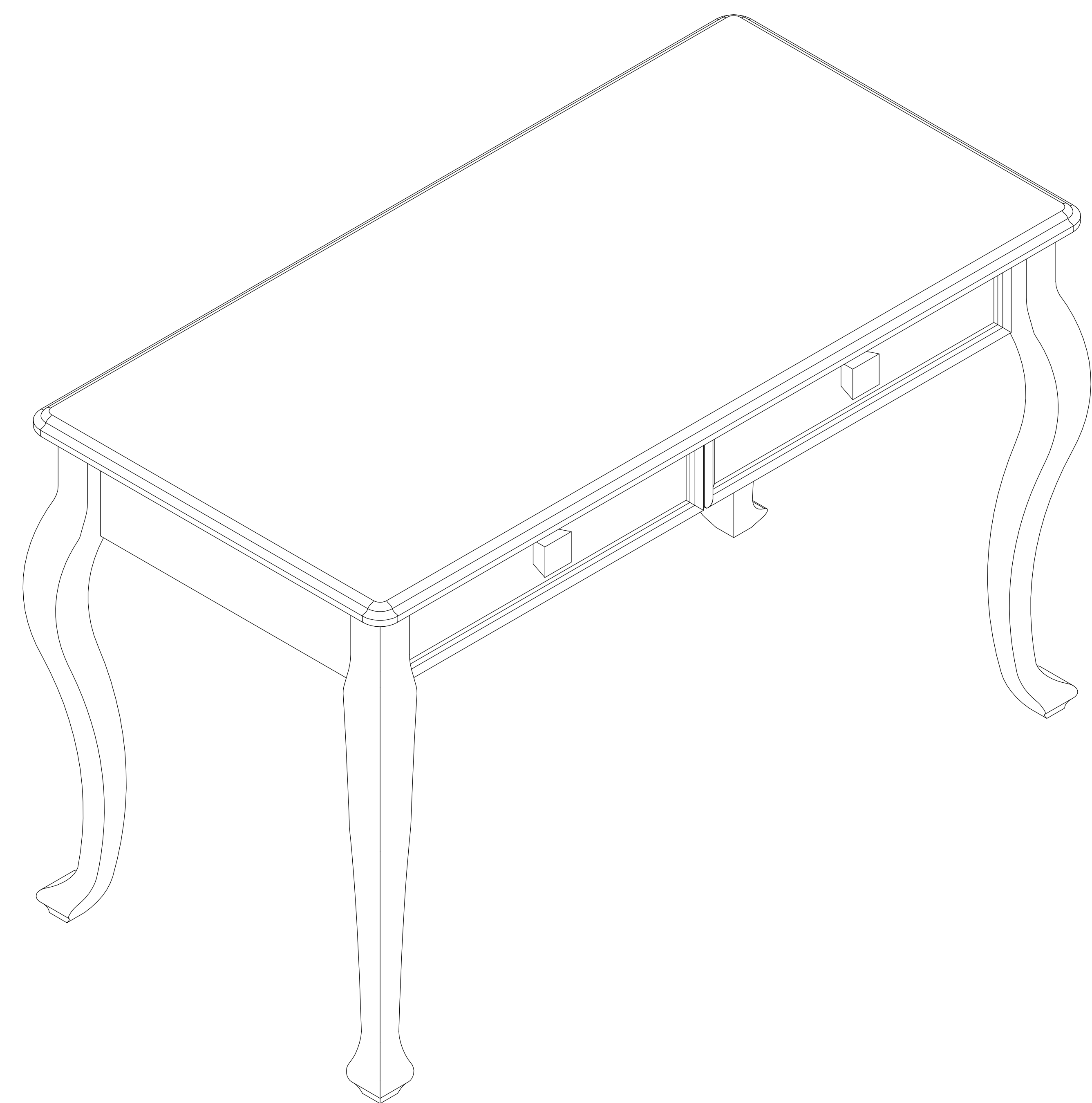
2



3

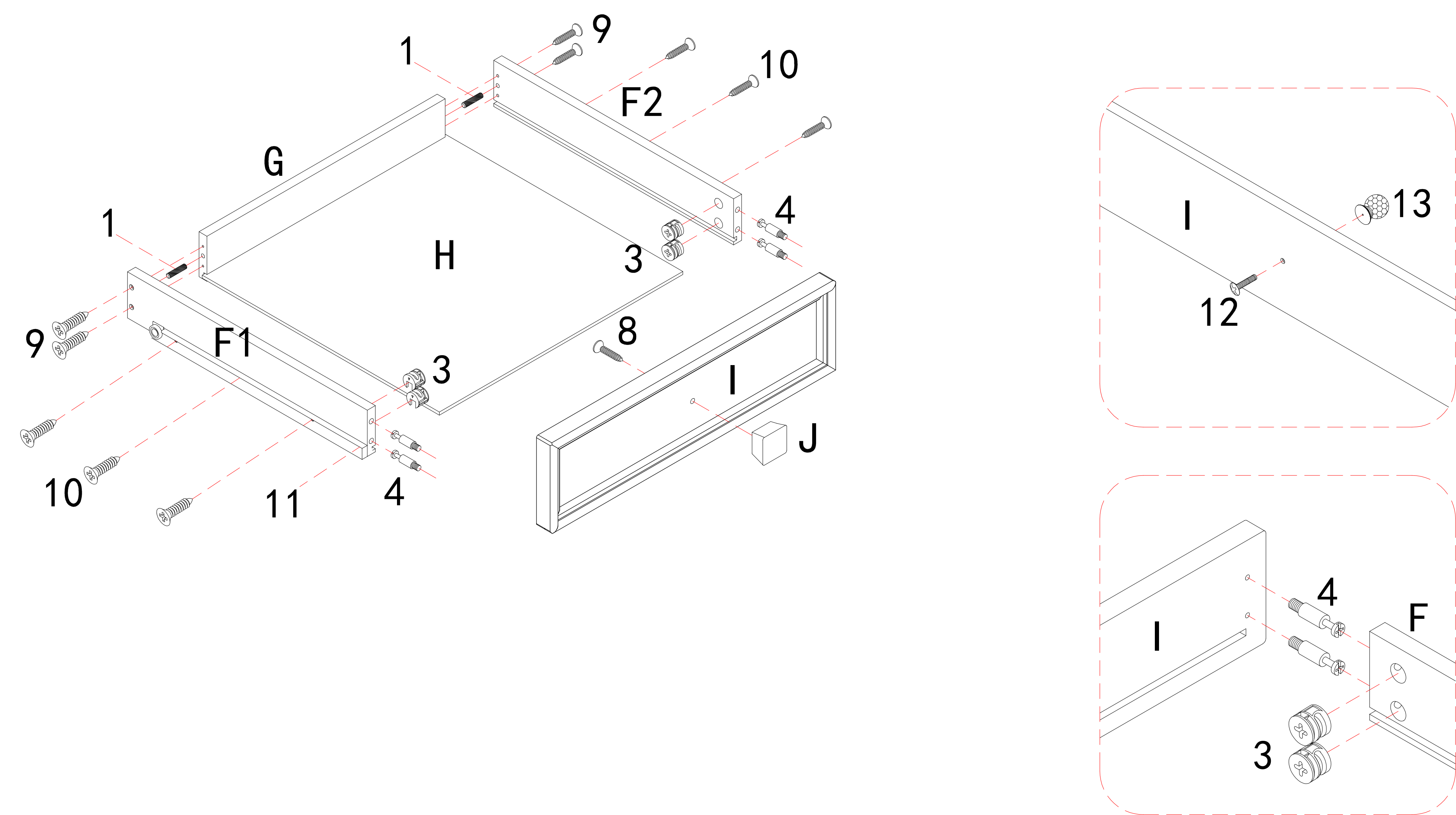


4

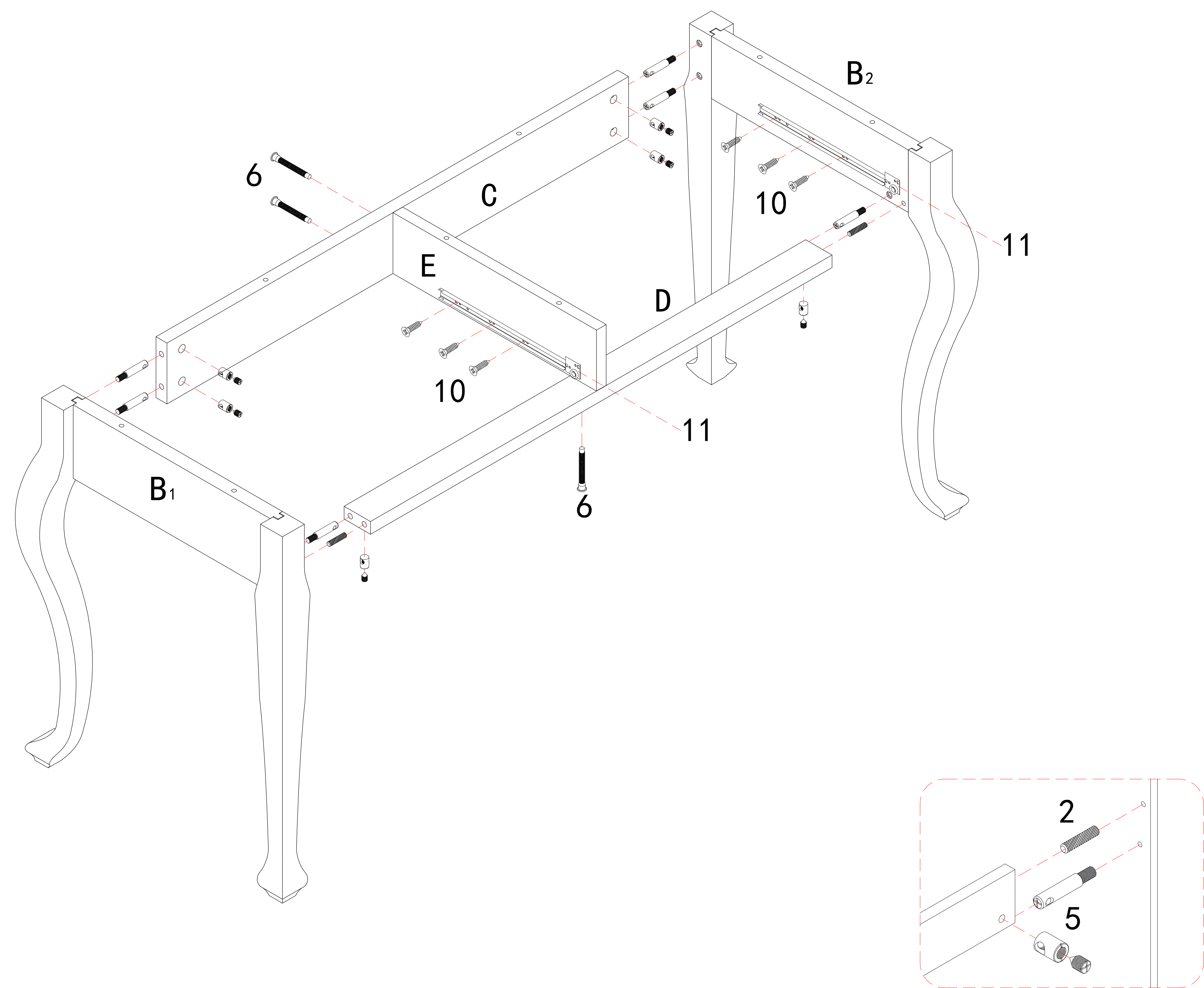


(FINISH)

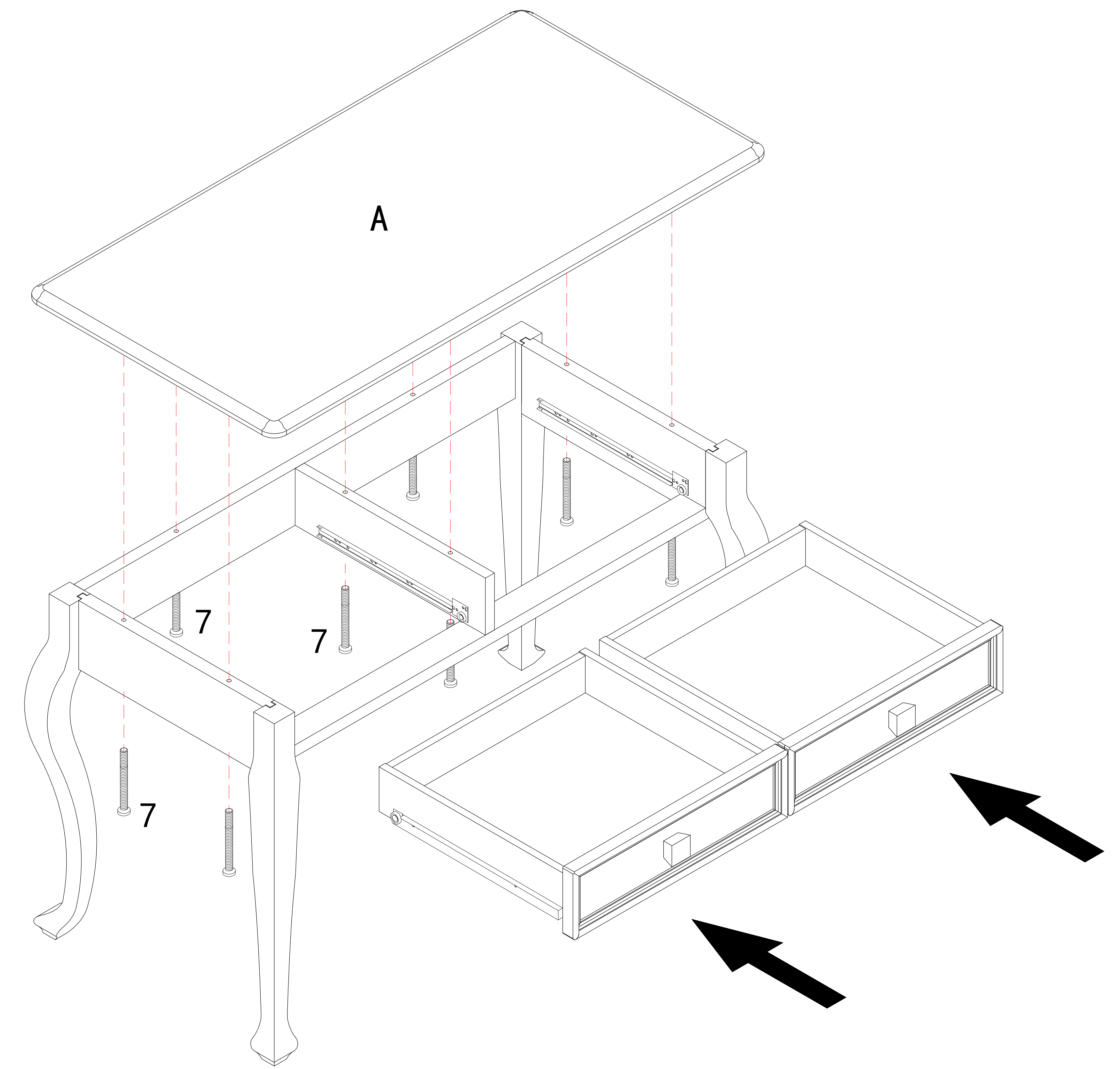
1



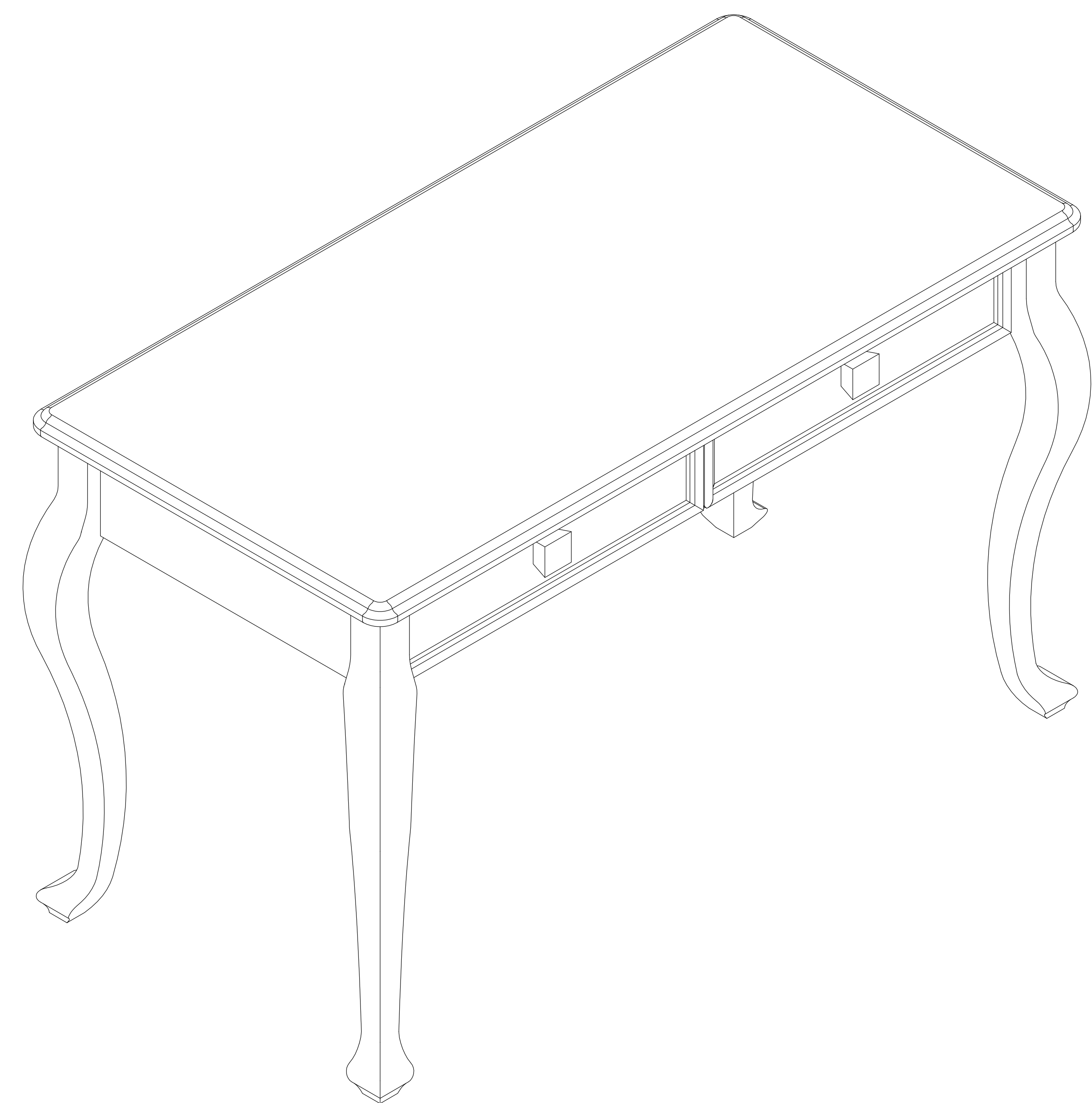
2



3



4



(FINISH)