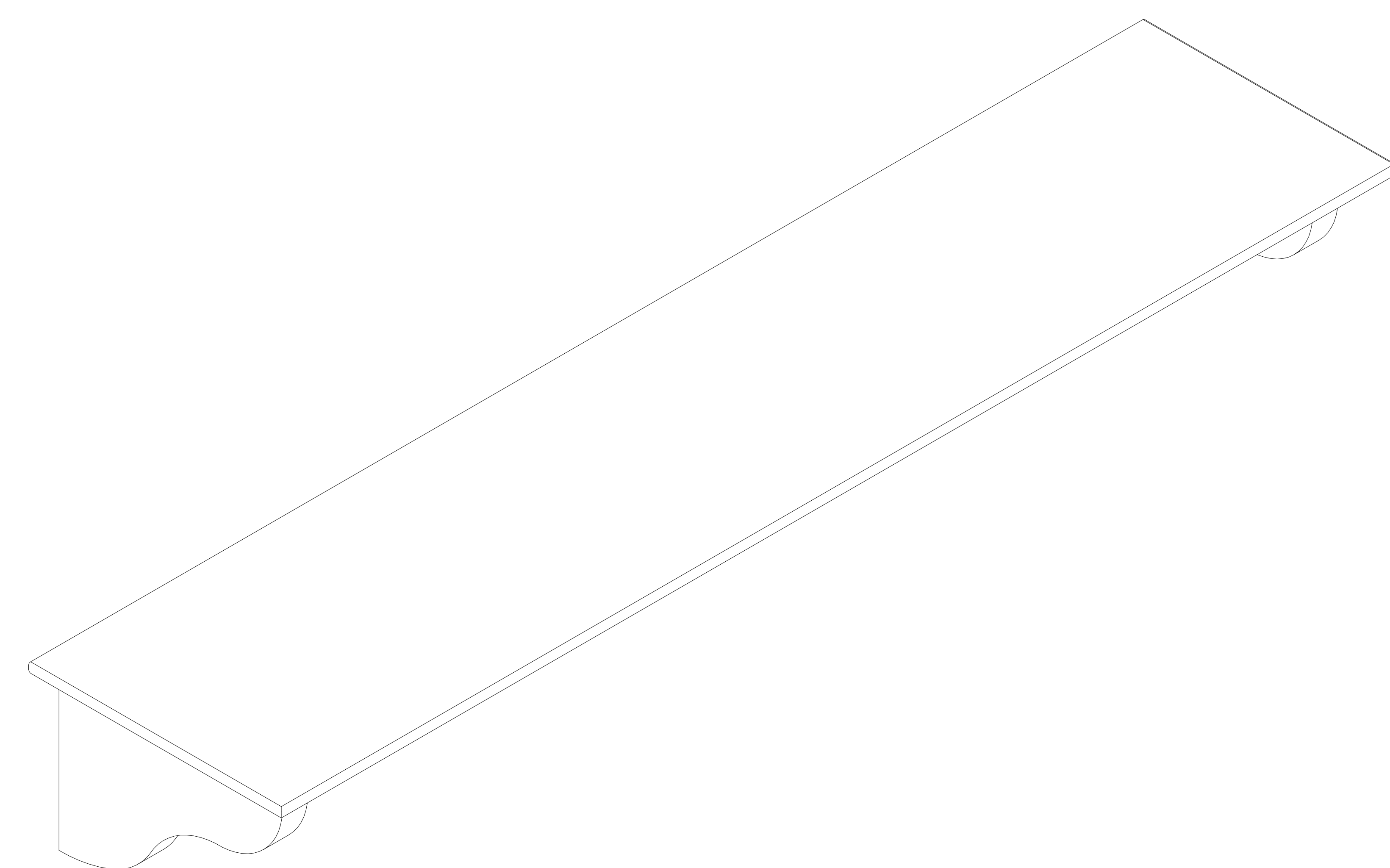
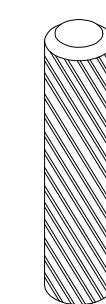
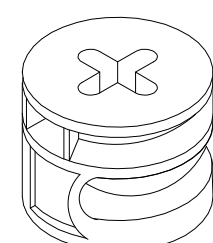
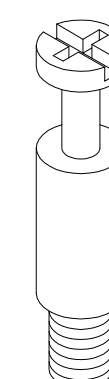


# ASSEMBLY INSTRUCTION

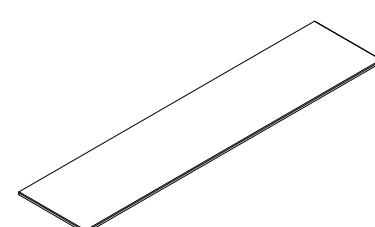
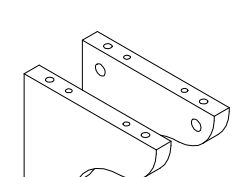
## GA-MJ006



PLEASE CHECK THE HARDWARE LIKE THIS:

1#	2#	3#
		
φ8*40mm	φ15*12mm	φ7*45mm
4PCS	4PCS	4PCS

ALL THE PARTS AS BELOW:

A	B
	
1PC	2PCS

