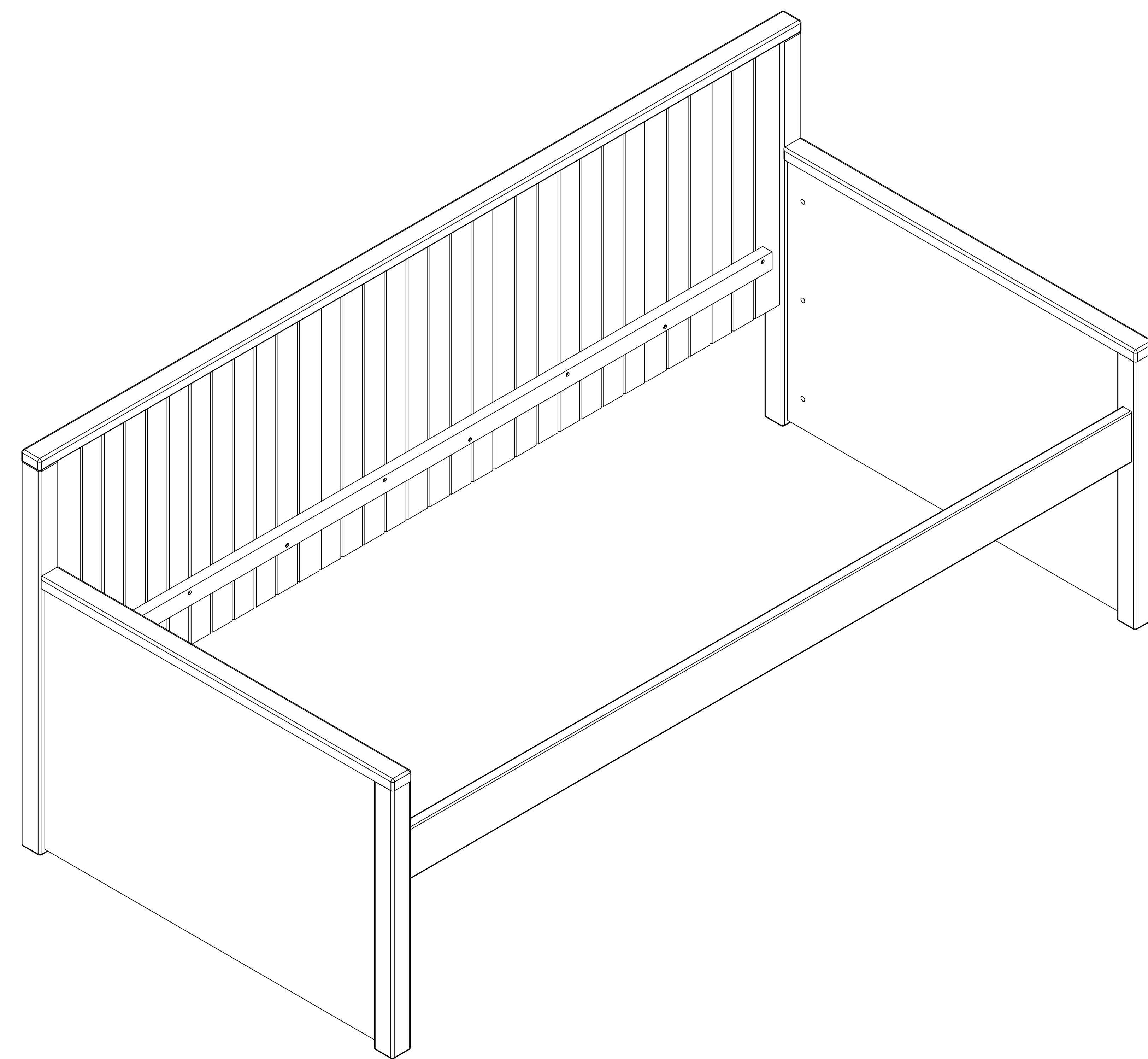


ASSEMBLY INSTRUCTION

GA-MC021

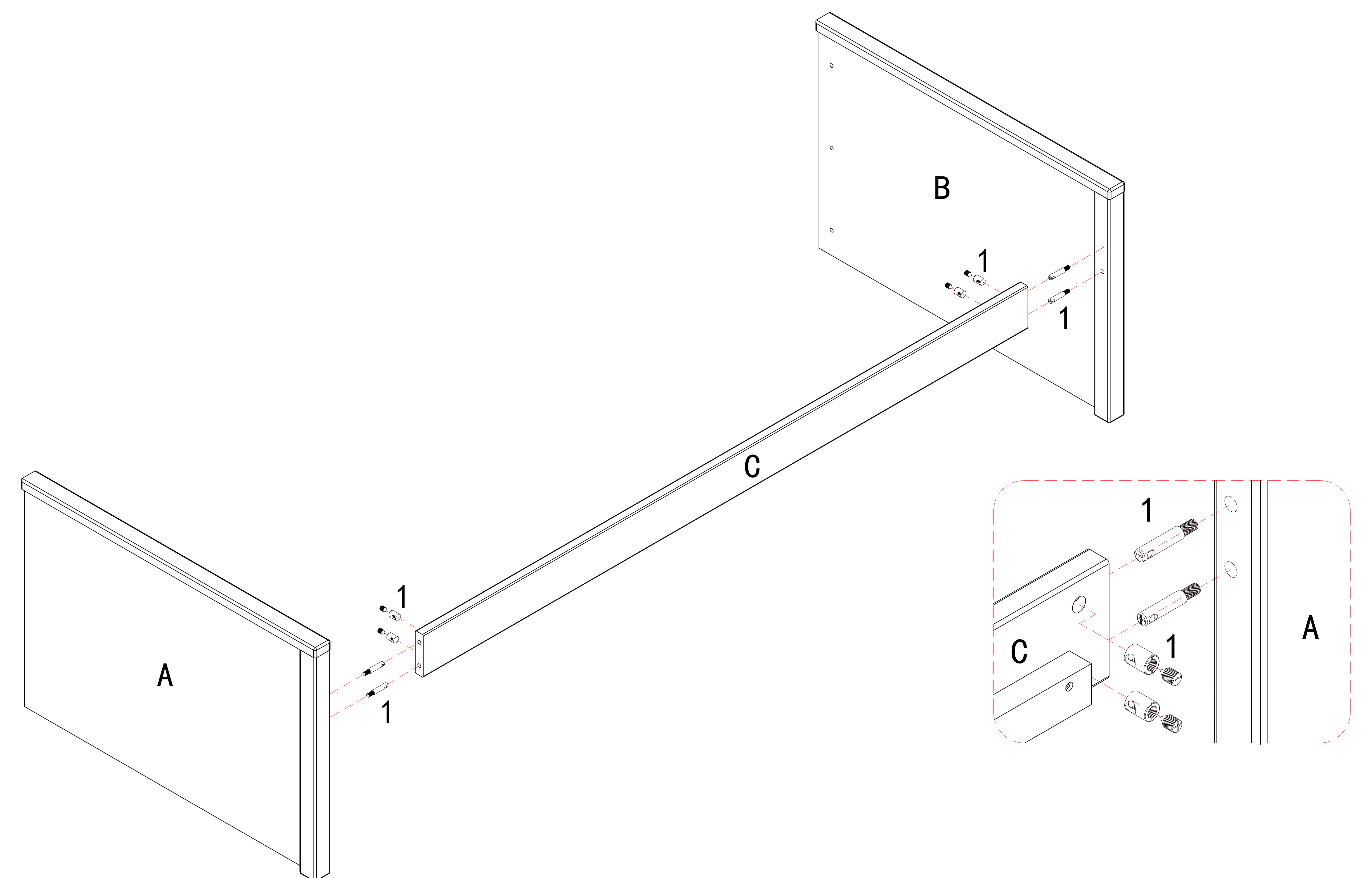


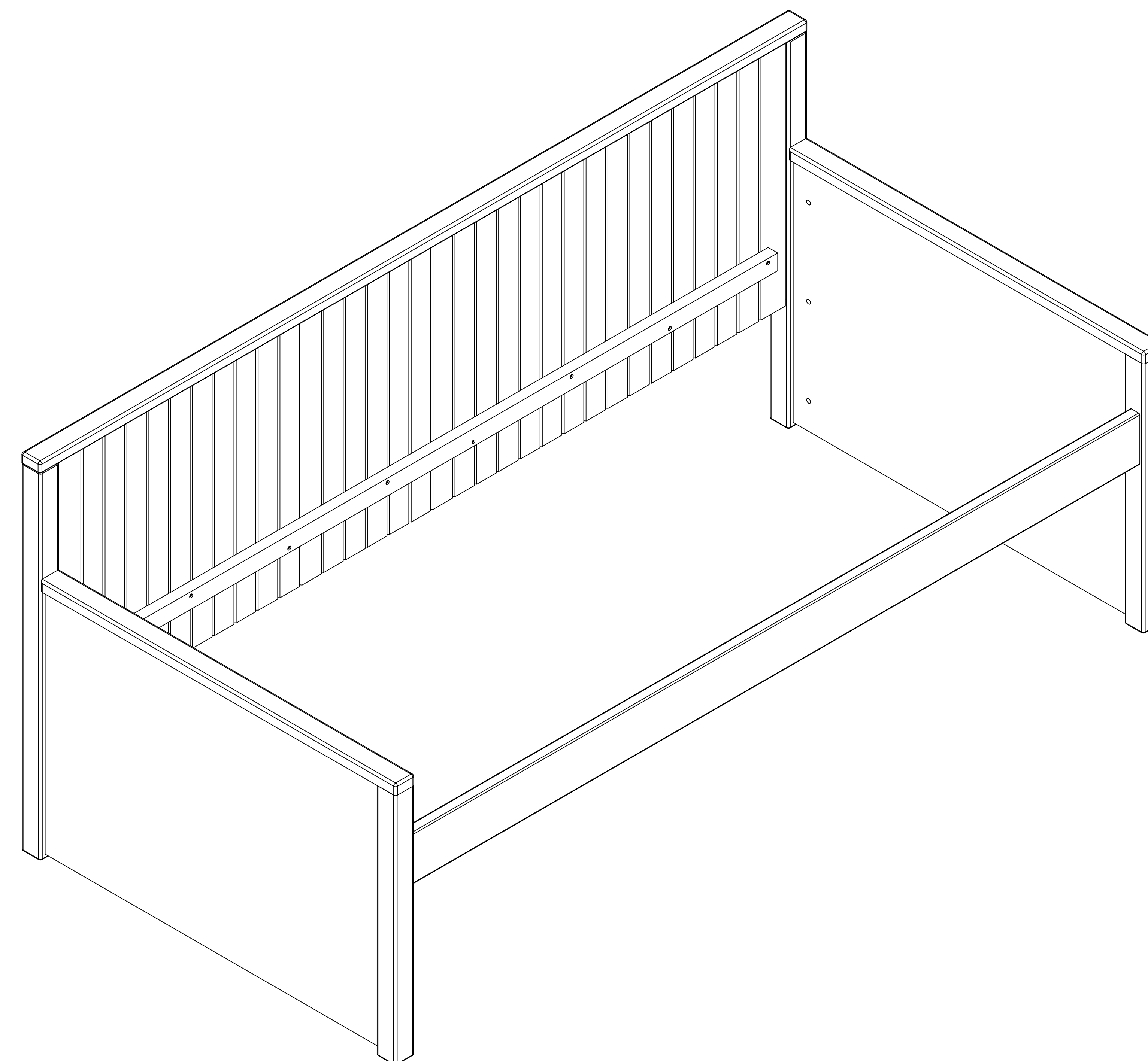
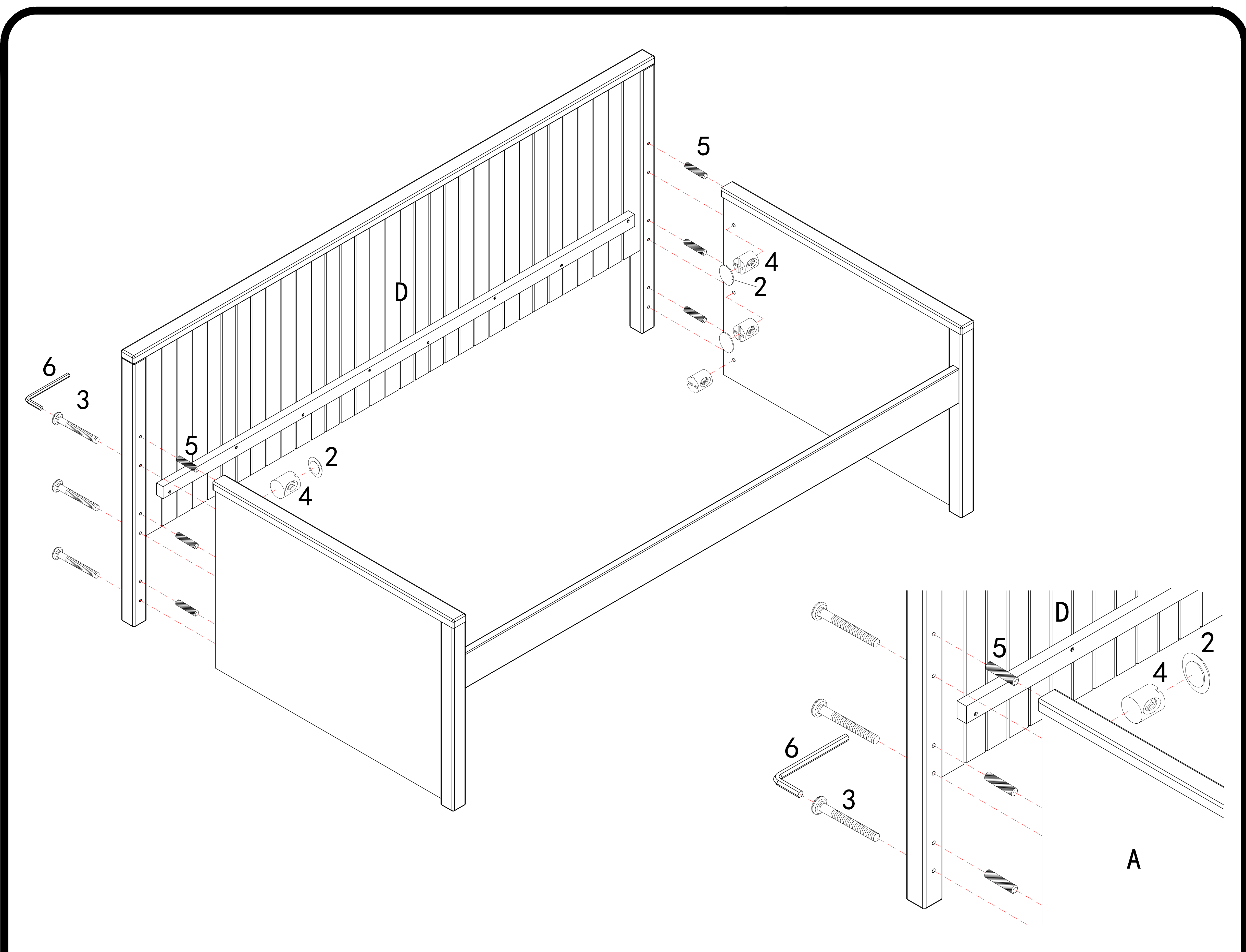
PLEASE CHECK THE HARDWARE LIKE THIS:

1#	2#	3#	4#	5#	6#	7#
φ3/4*55mm	φ14*5mm	13# 1/4"*101mm	1/4"-φ9.5*12mm	φ8*40mm	D=4mm	7# φ3.5*30mm
4PCS	4PCS	6PCS	6PCS	6PCS	1PC	4PCS

ALL THE PARTS AS BELOW:

A	B	C	D	E
1PC	1PC	1PC	1PC	2PCS





(FINISH)