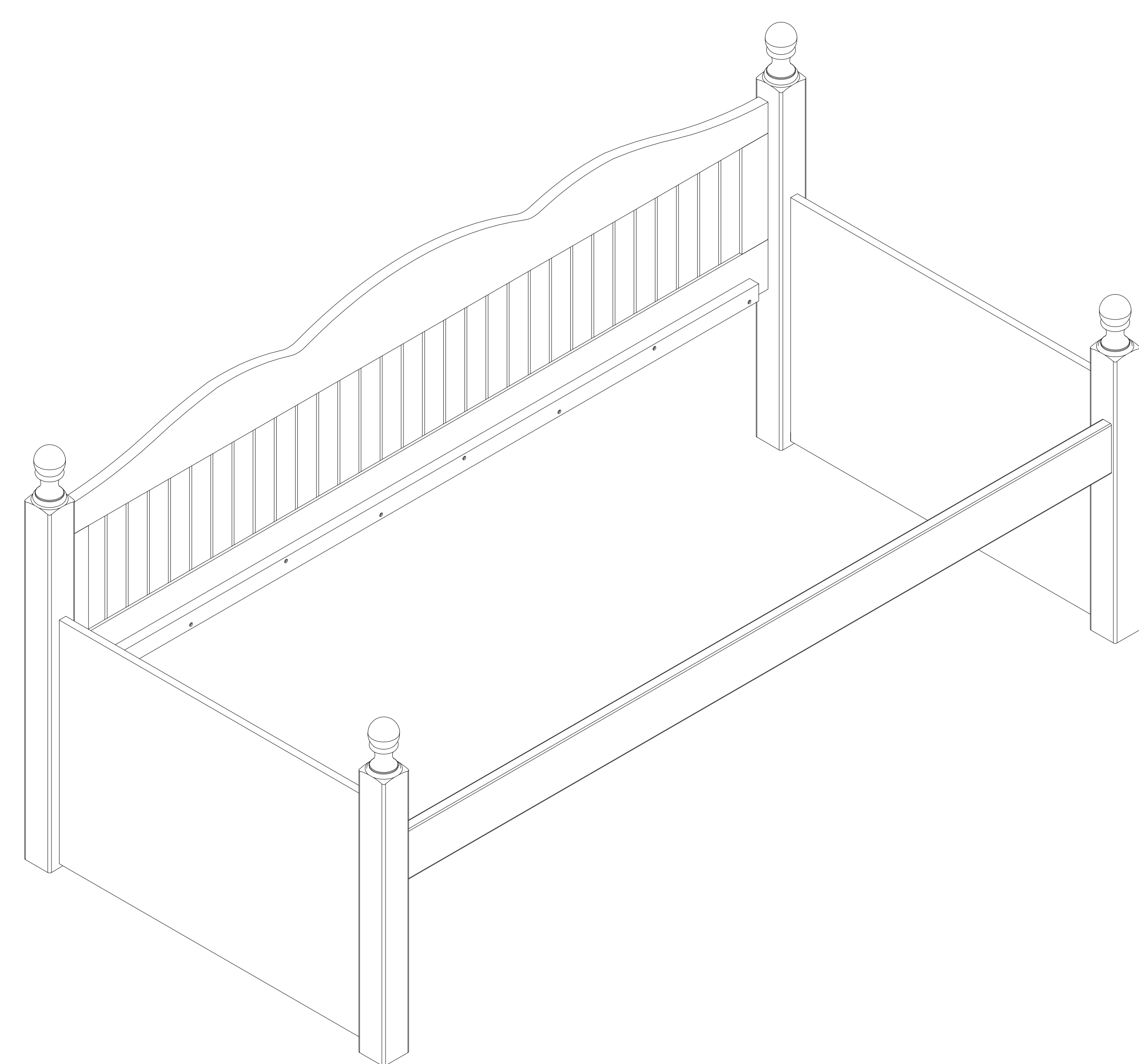
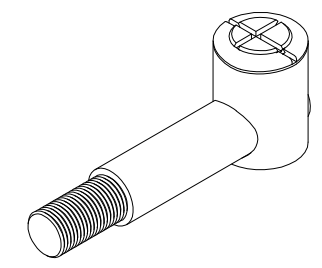
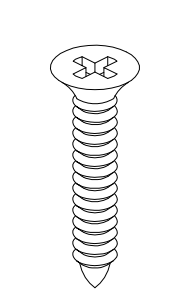


# ASSEMBLY INSTRUCTION

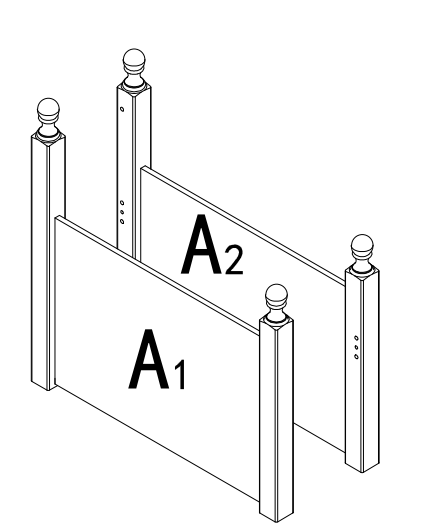
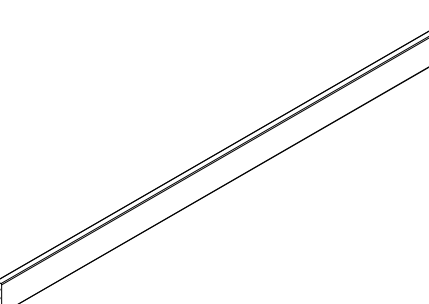
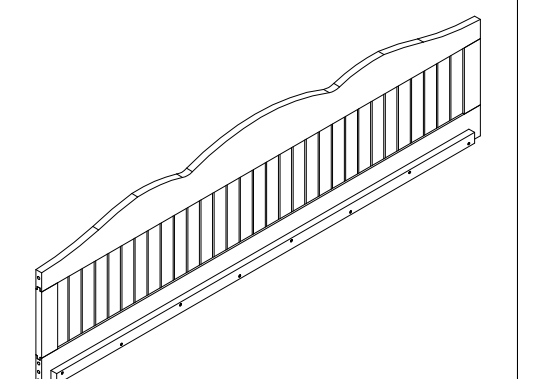
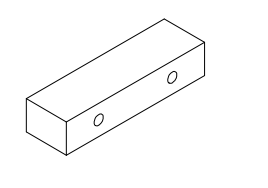
## GA-MC006



PLEASE CHECK THE HARDWARE LIKE THIS:

1#	2#
	
φ3/4*55mm	7# φ3.5*30mm
1#	2#
10PCS	4PCS

ALL THE PARTS AS BELOW:

A	B	C	D
			
A	B	C	D
2PCS	1PC	1PC	2PCS

