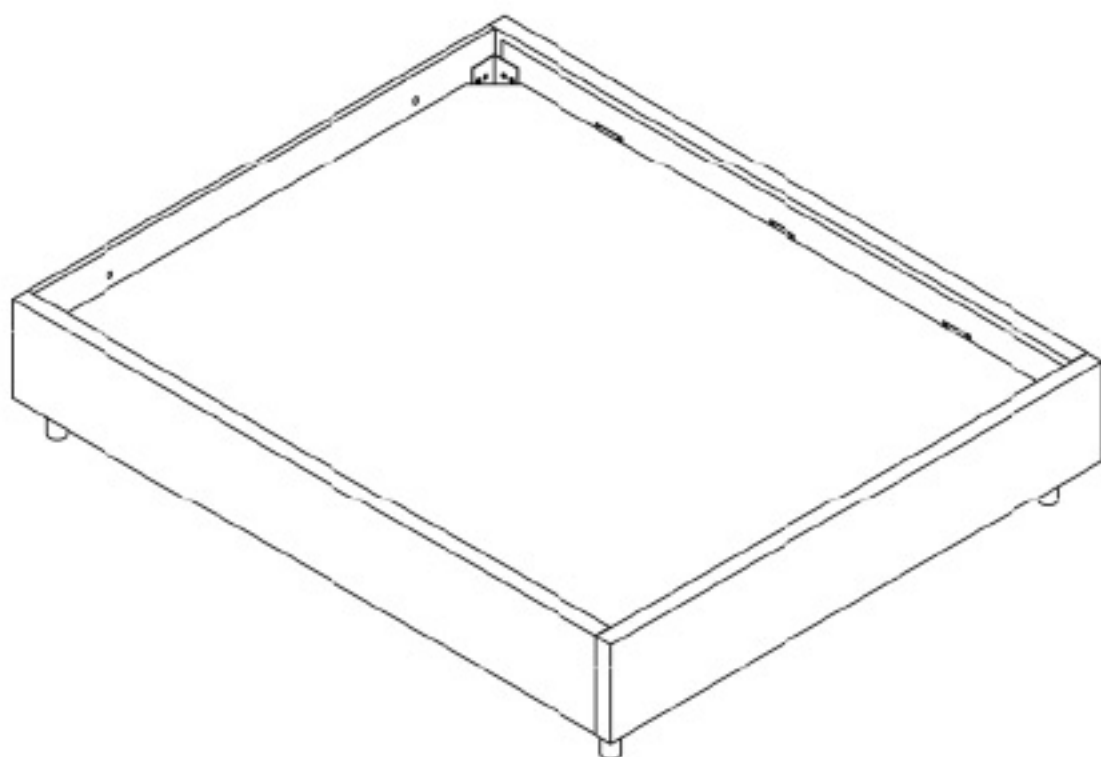
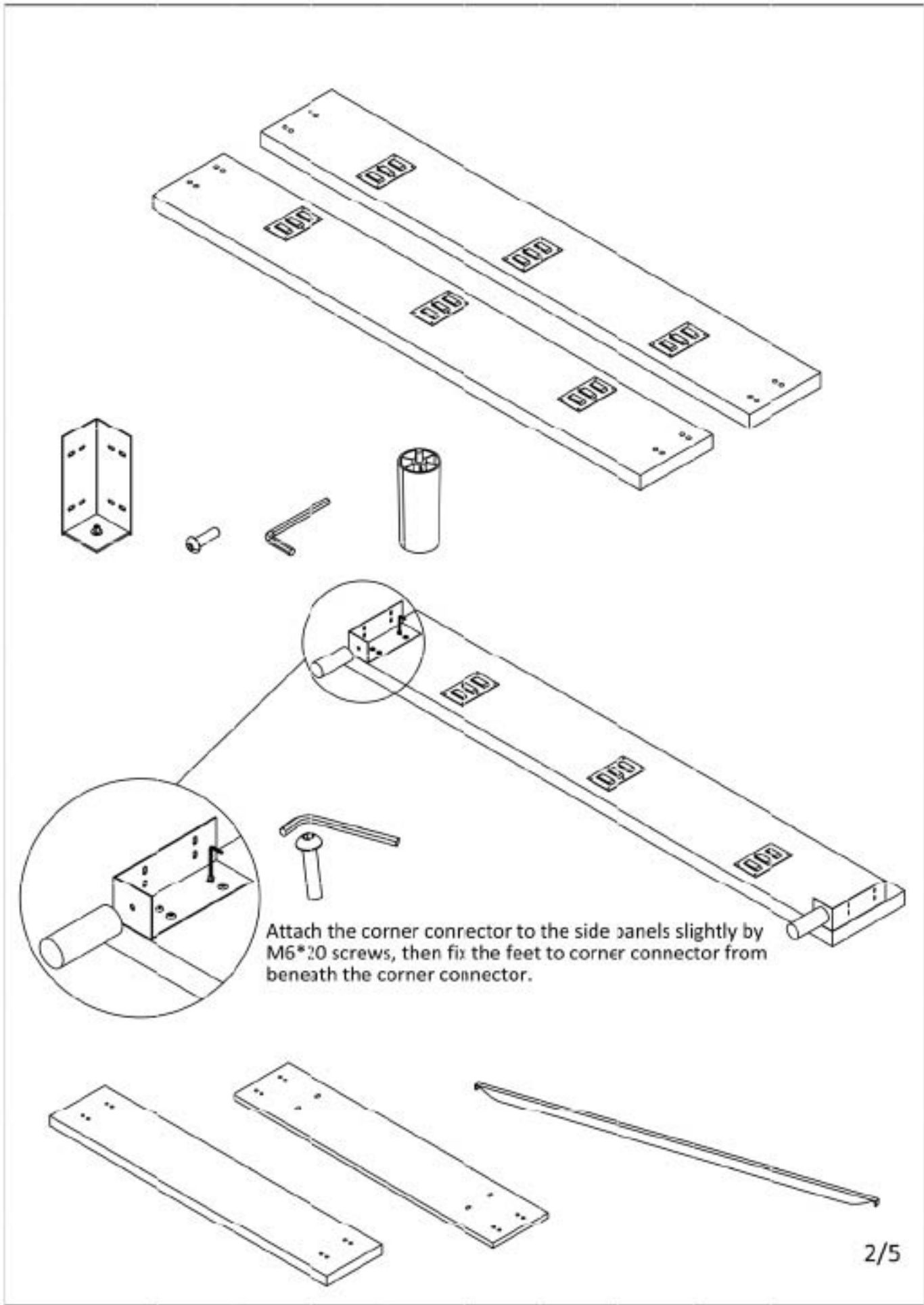
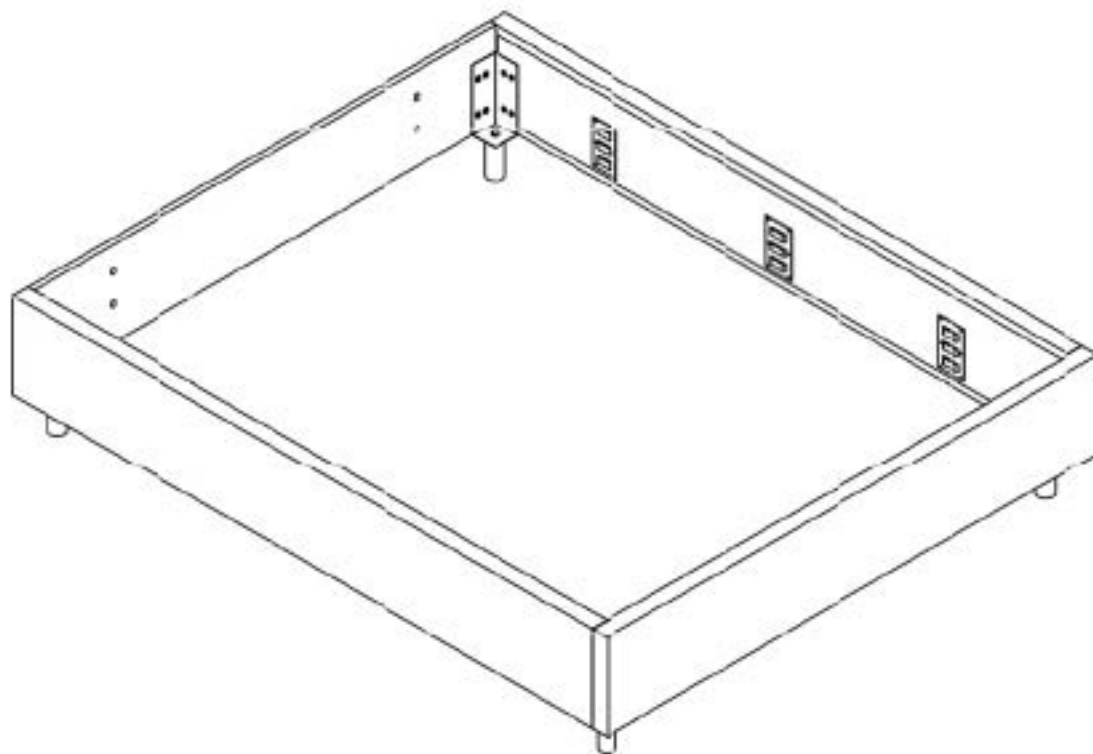


INSTALLATION INSTRUCTION

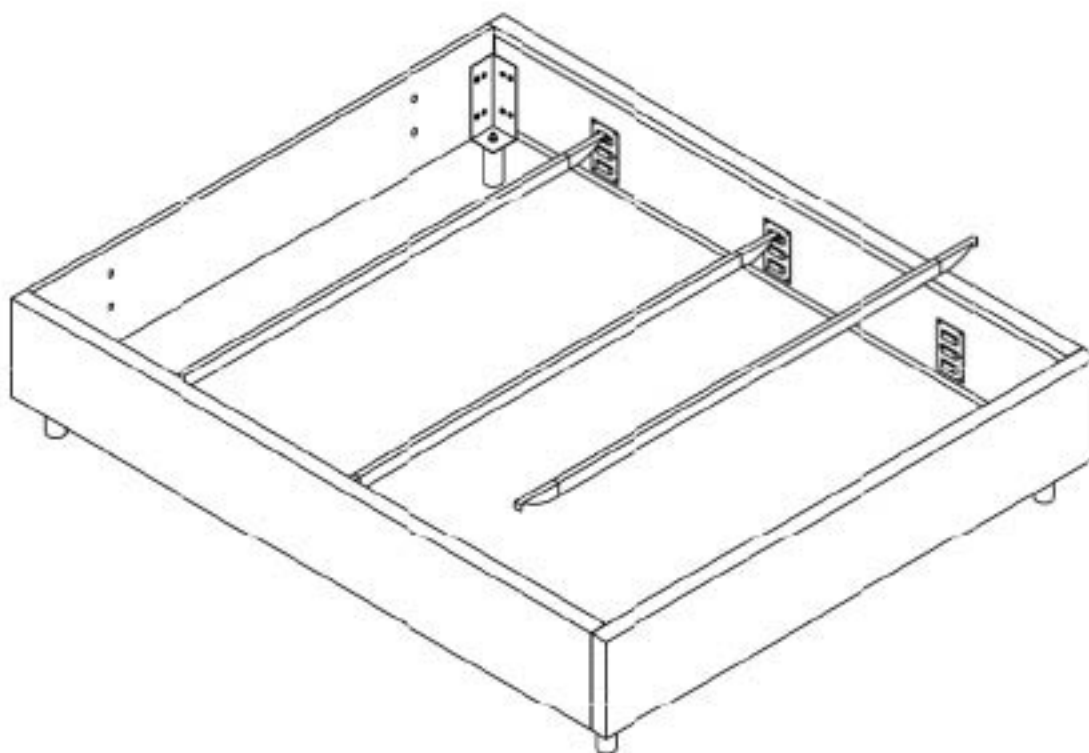


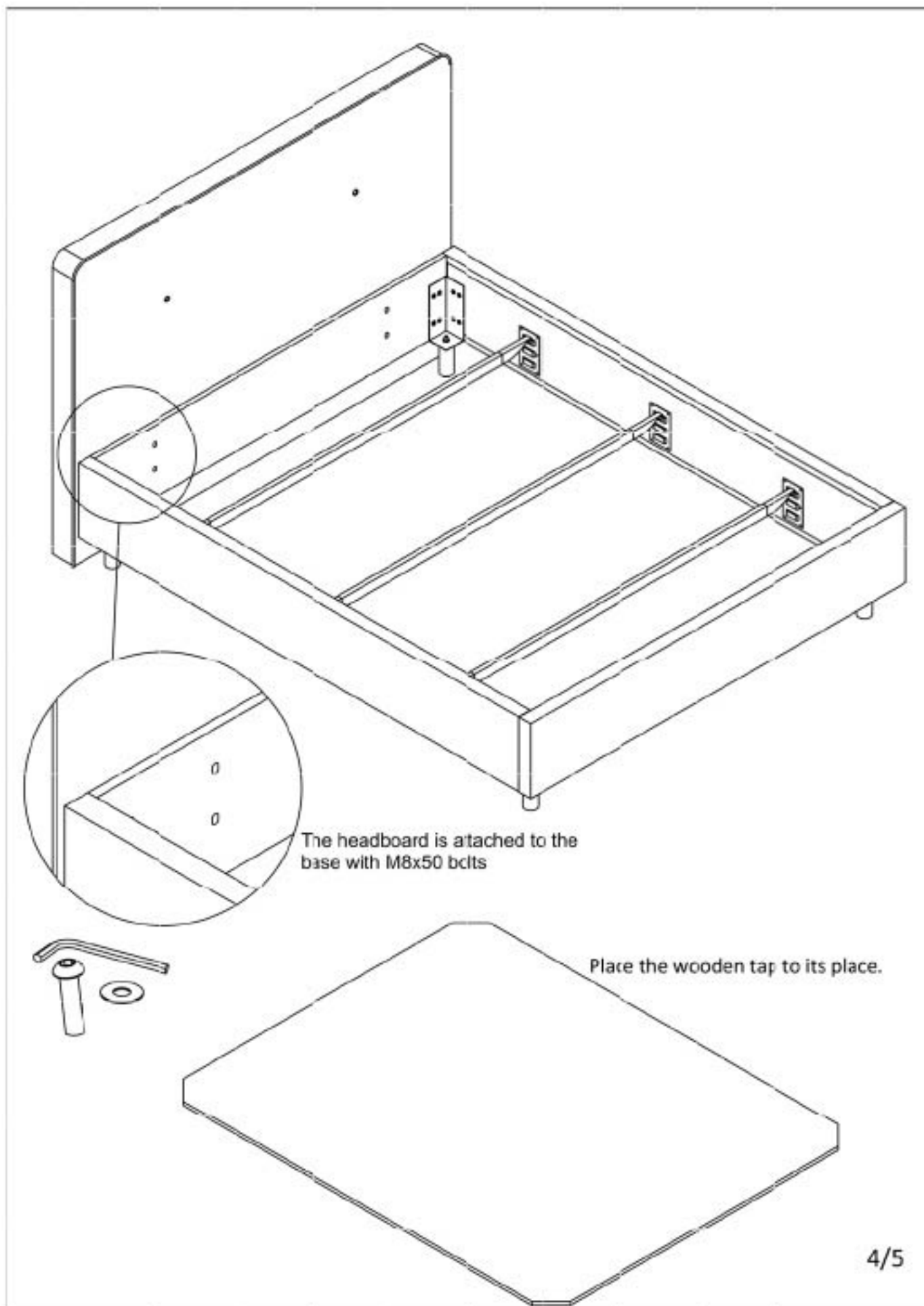


Attach the corner connector to the side panels slightly by M6*20 screws, then fix the feet to corner connector from beneath the corner connector.



attach the meta profiles shown as in the picture
that carry the wooden cover





The headboard is attached to the base with M8x50 bolts

Place the wooden tap to its place.

