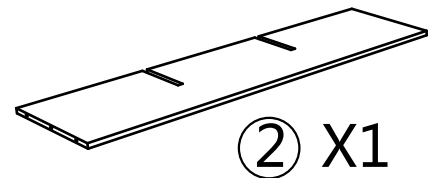
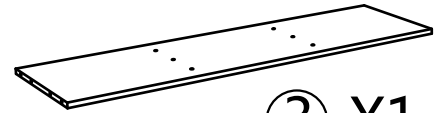


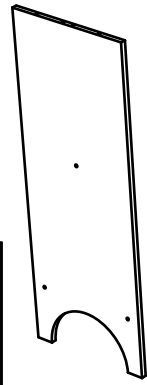
① X2



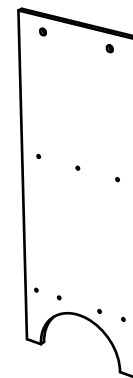
② X1



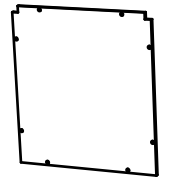
③ X1



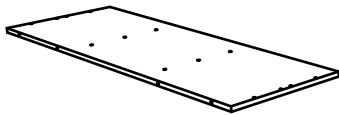
④ X1



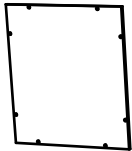
⑤ X1



⑧ X1



⑥ X1



⑦ X2



⑨ X2



Ⓐ X6



Ⓑ X6



Ⓒ X20



Ⓓ X8



Ⓔ X8

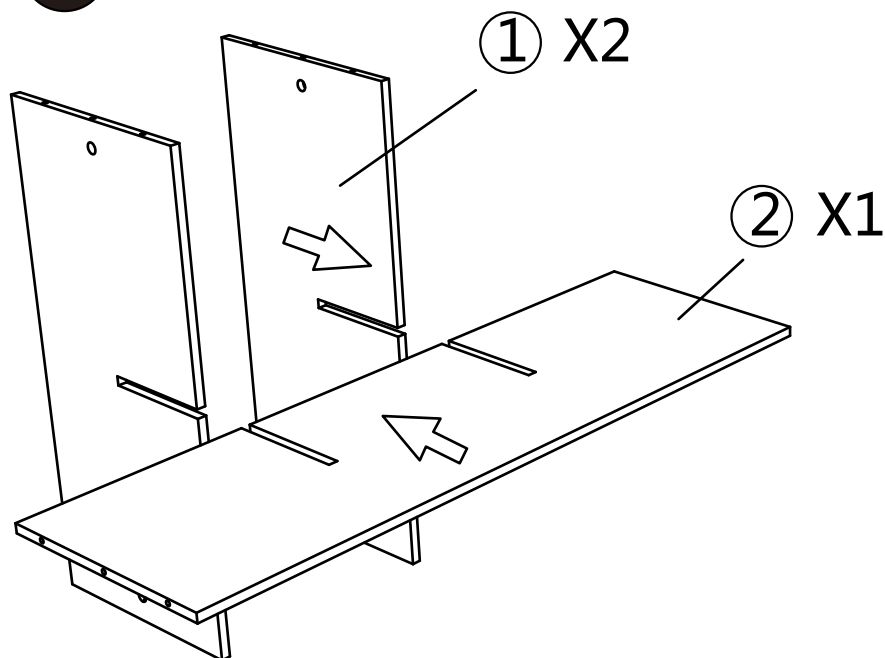


Ⓕ X24



Ⓖ X6

1



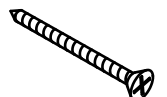
Ⓗ X1



Ⓘ X1

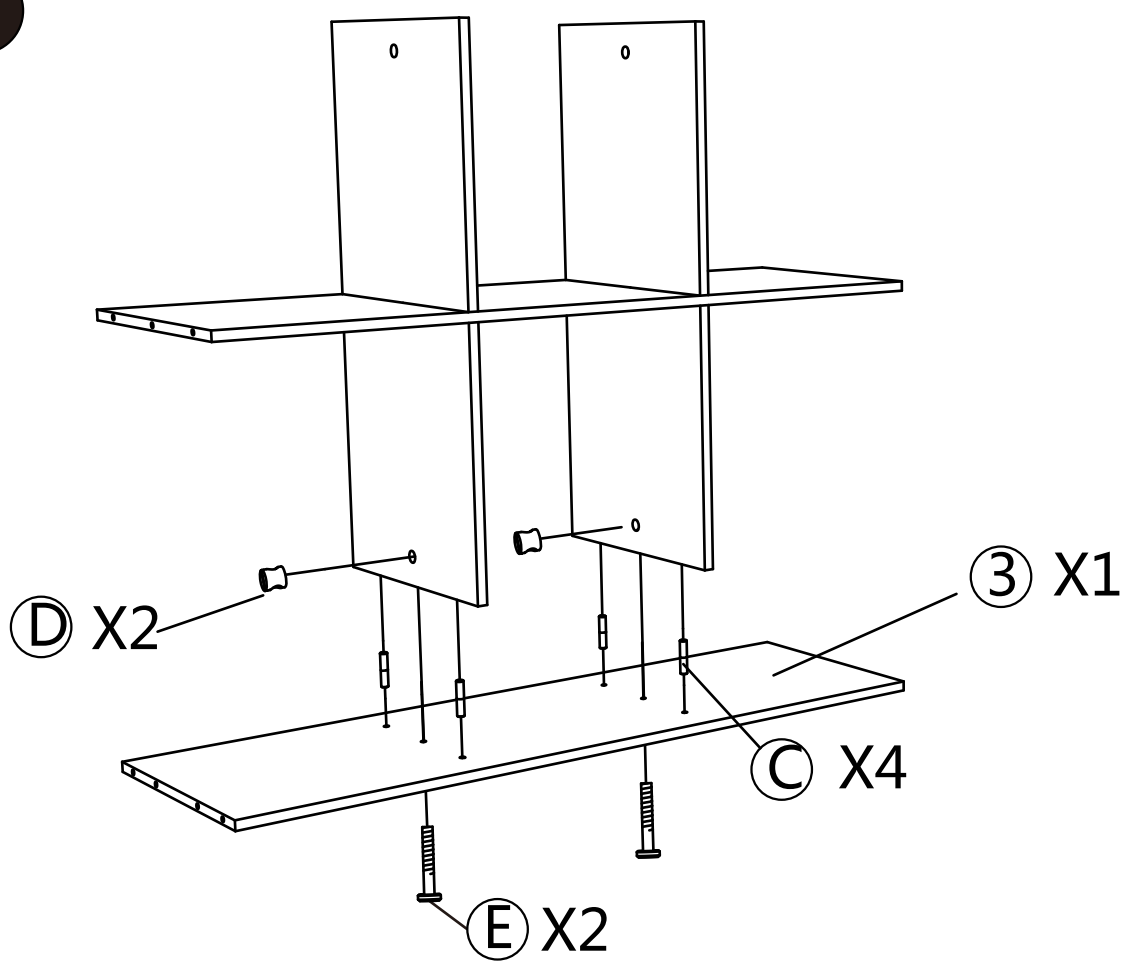


Ⓙ X1

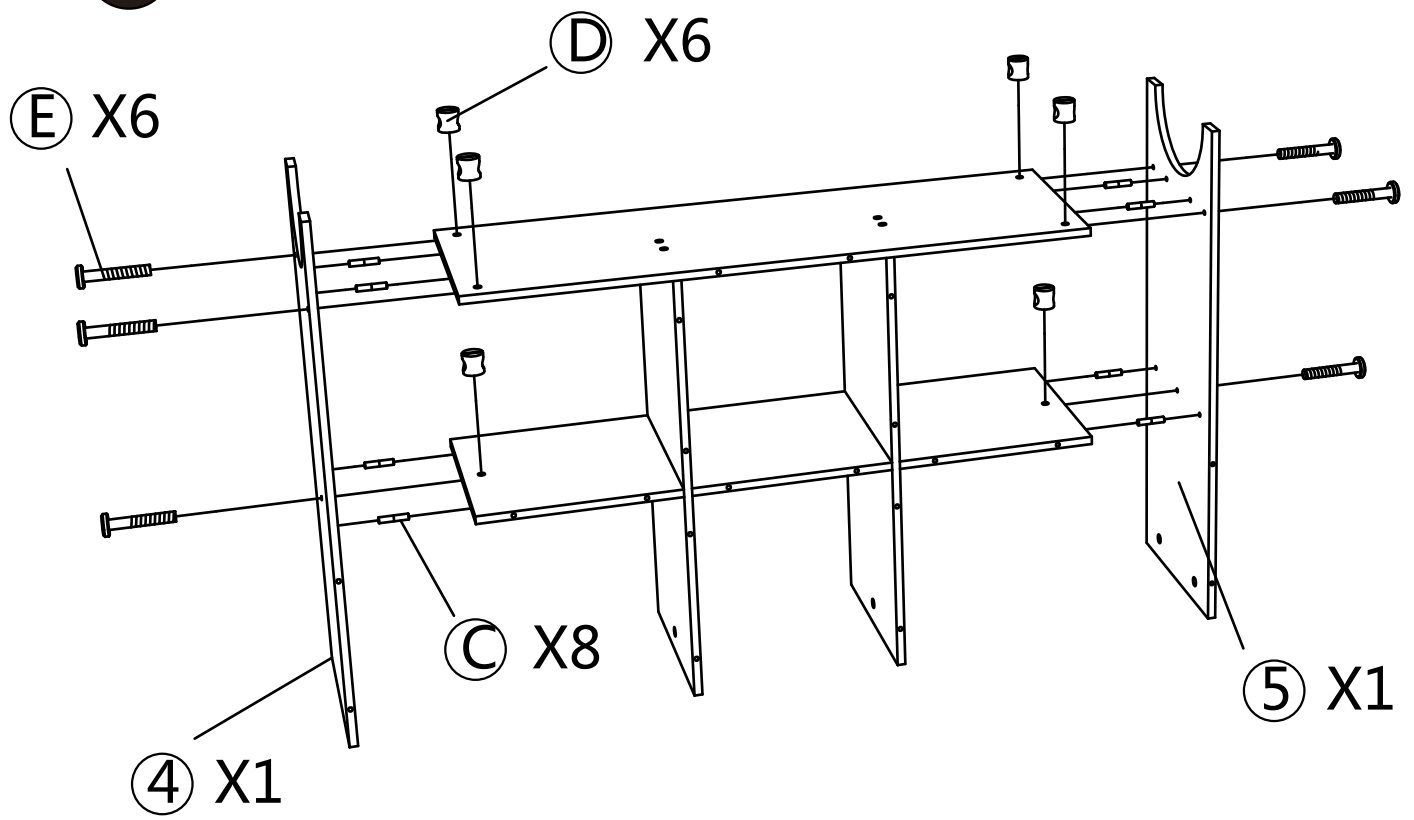


Ⓚ X1

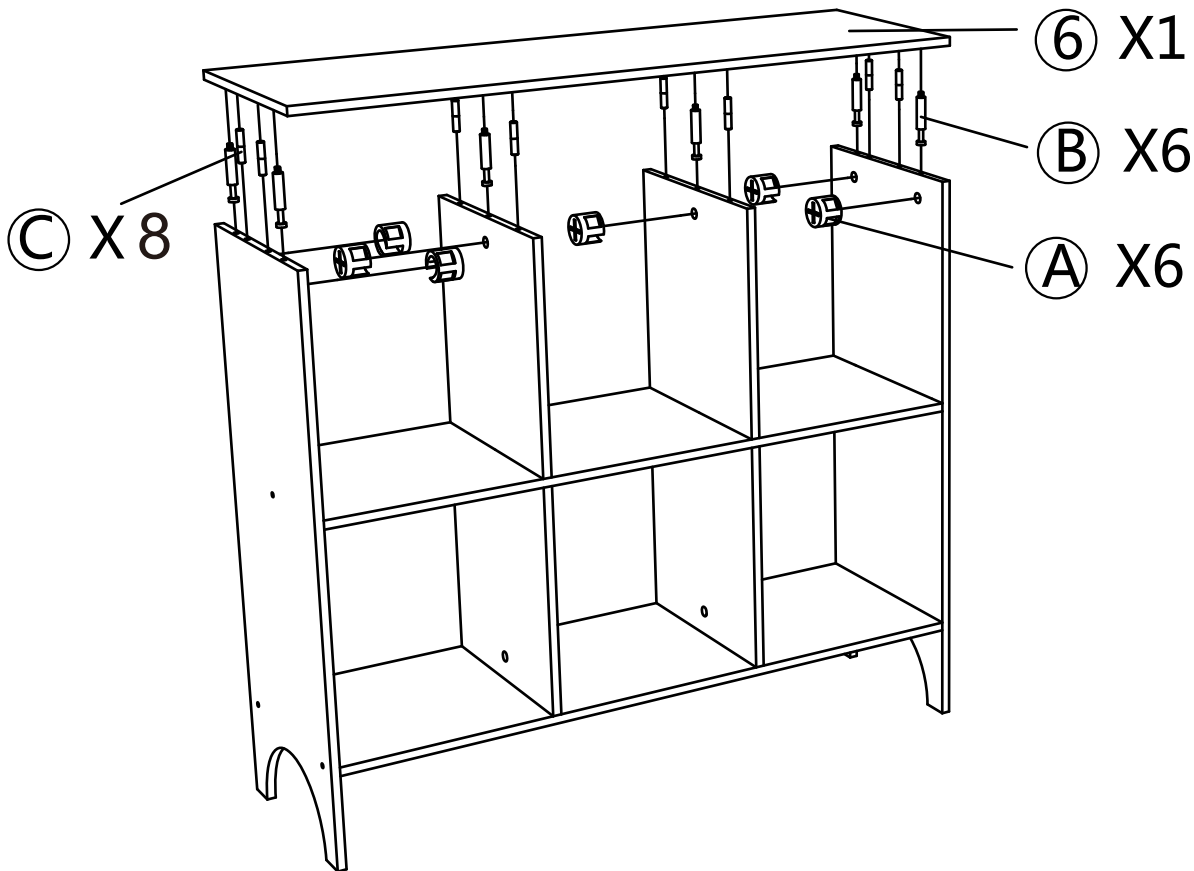
2



3

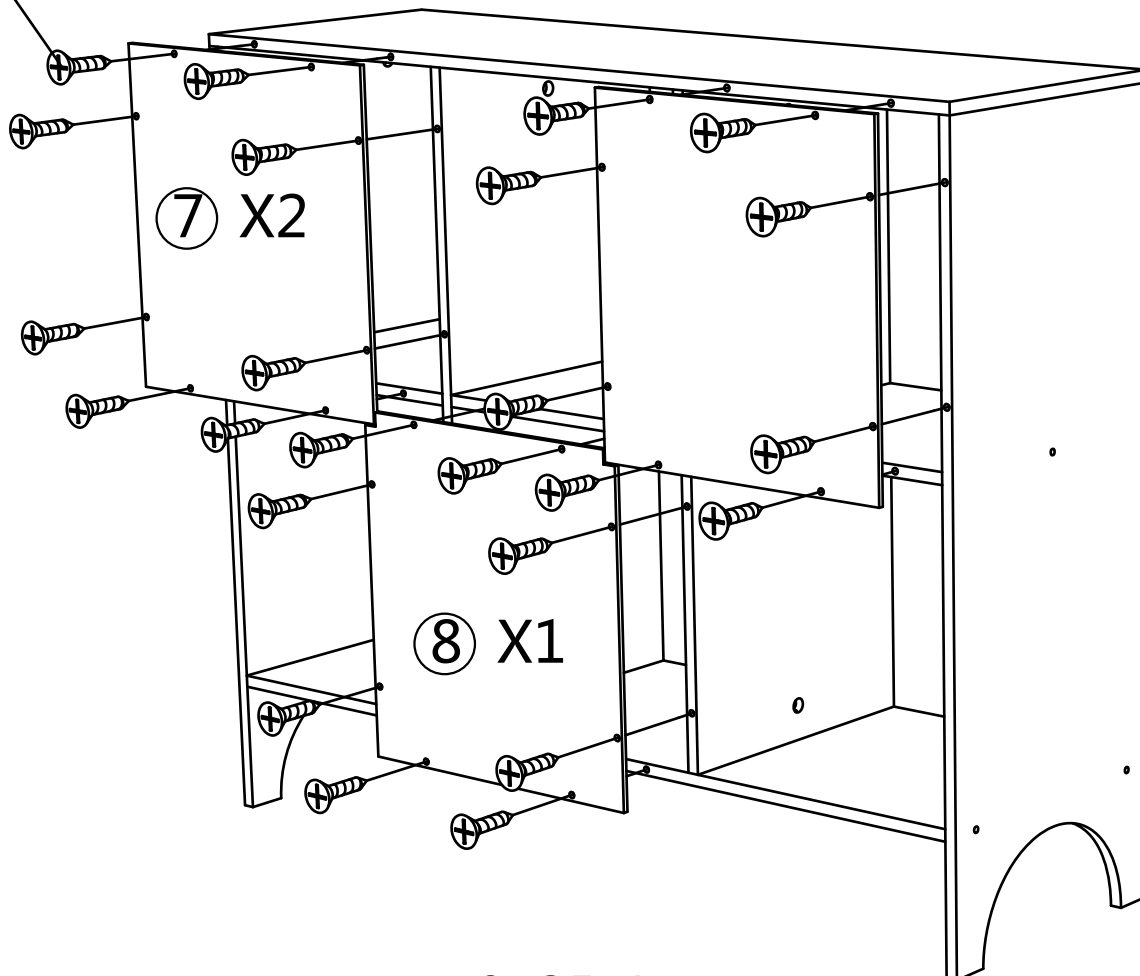


4

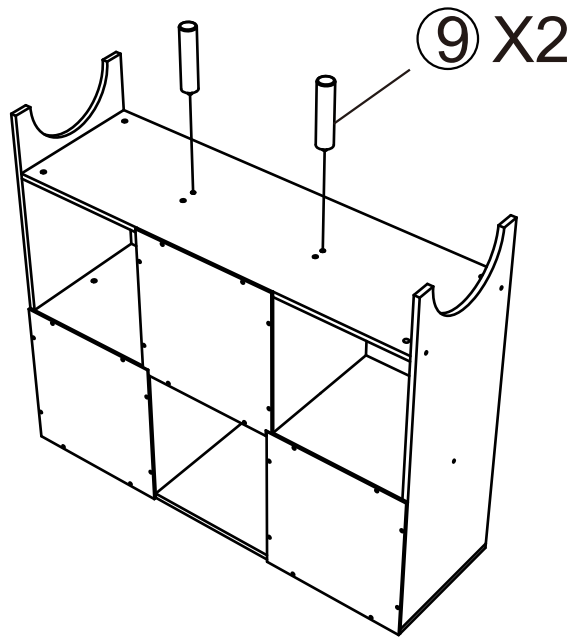


5

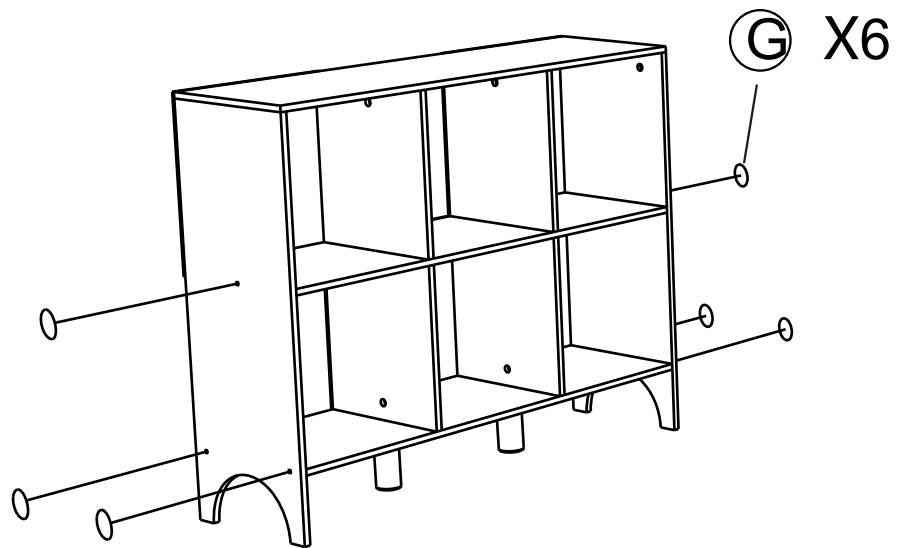
F X24



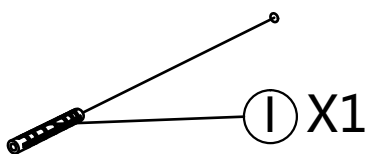
6



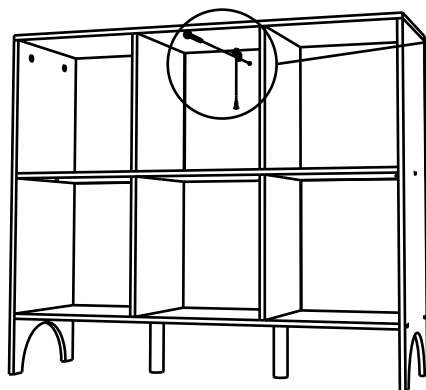
7



8

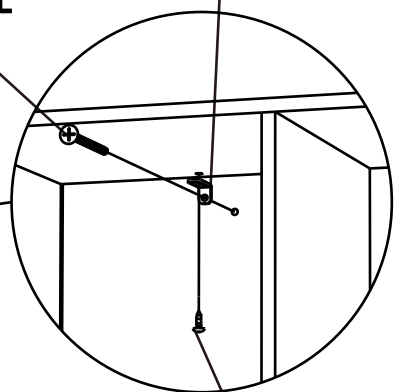


9



K X1

J X1



H X1