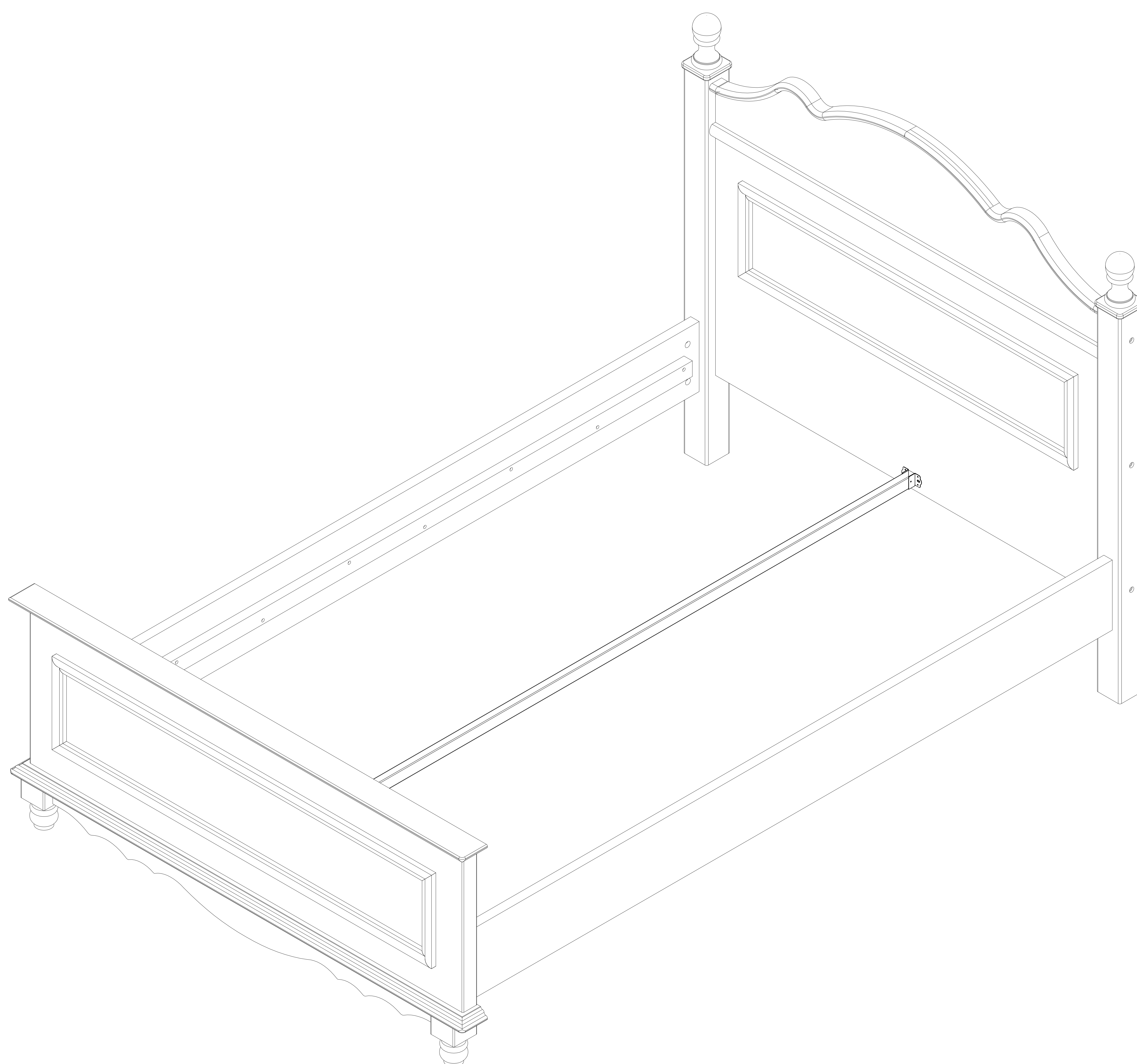
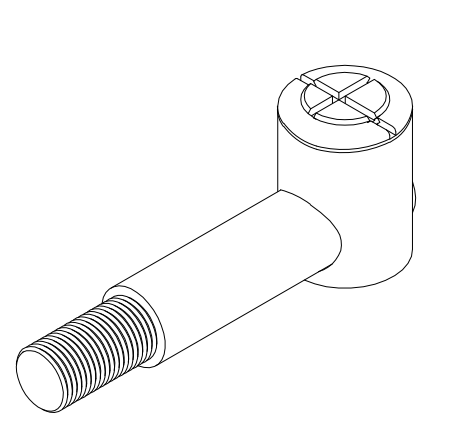
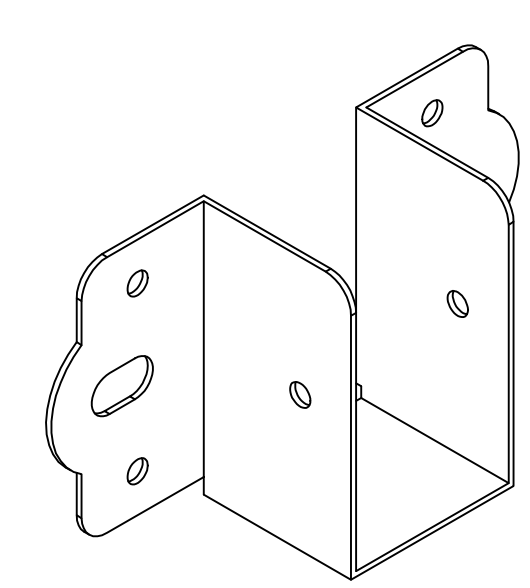
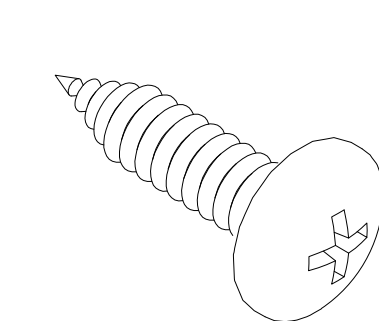


ASSEMBLY INSTRUCTION

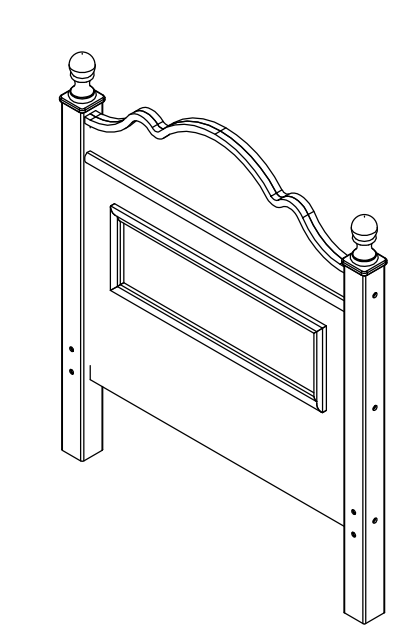
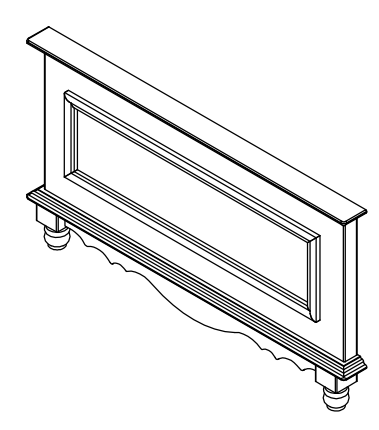
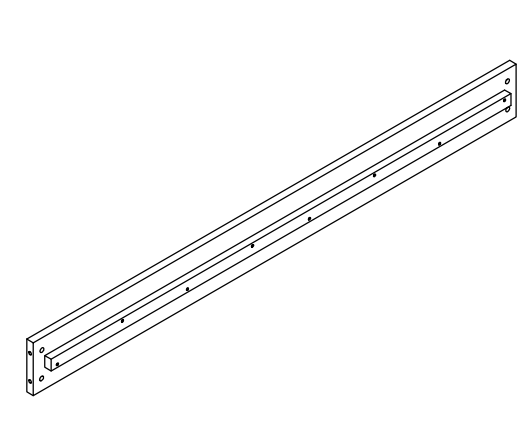
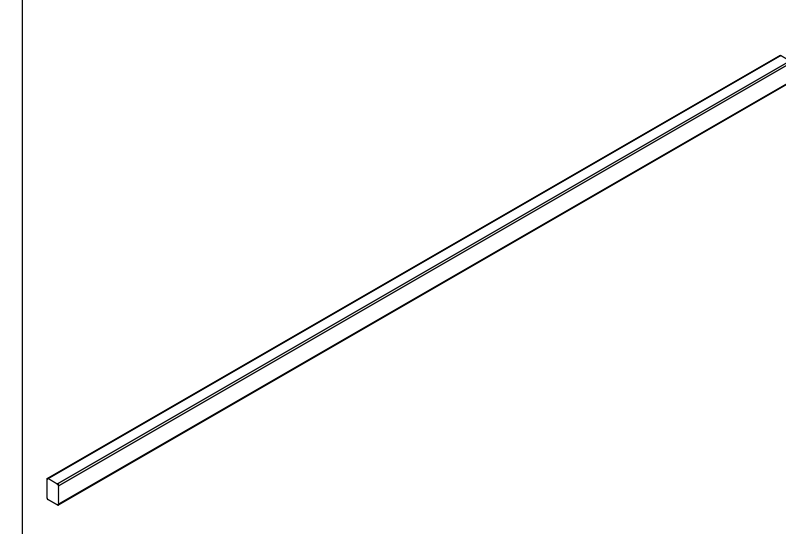
GA-MC014

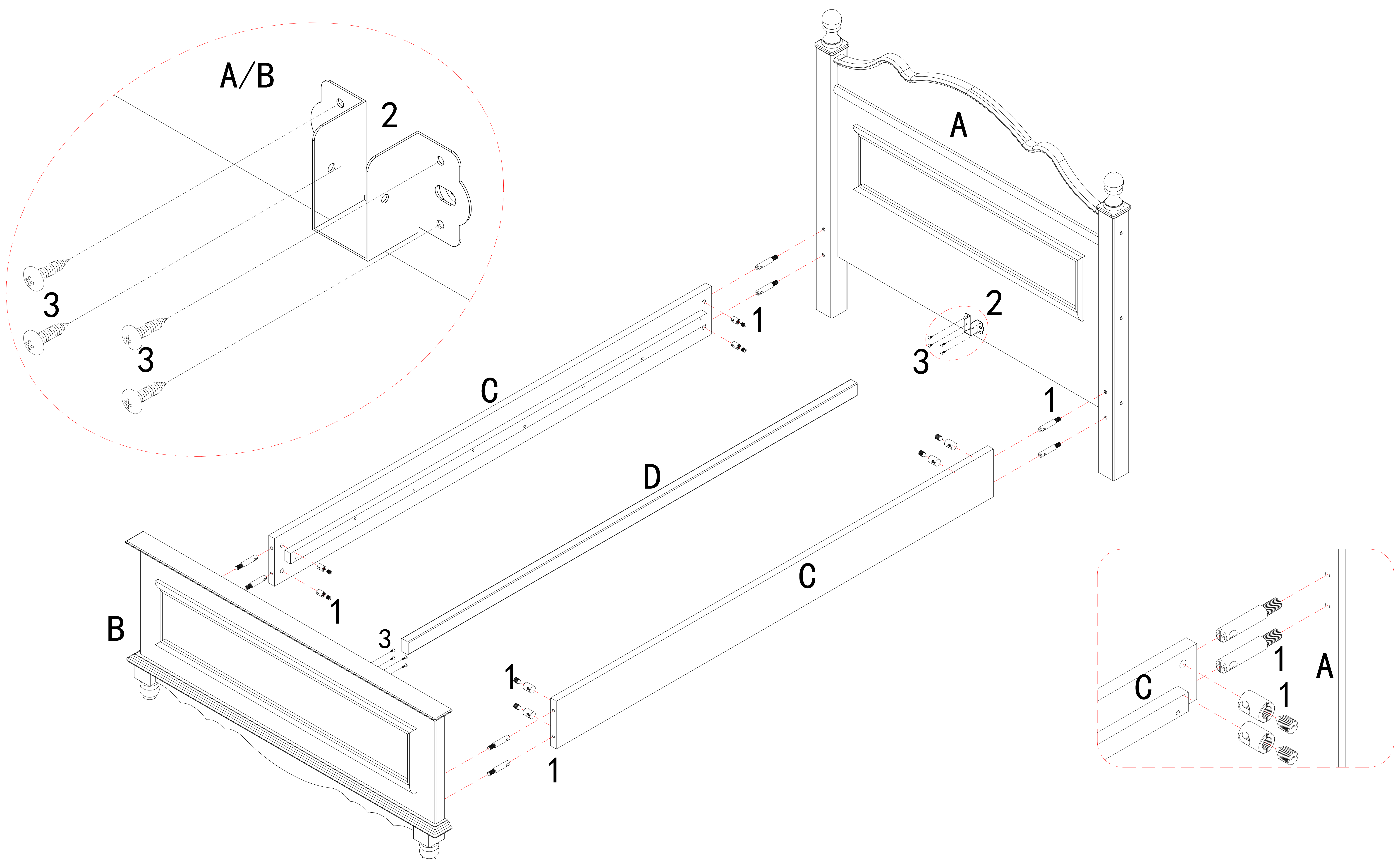


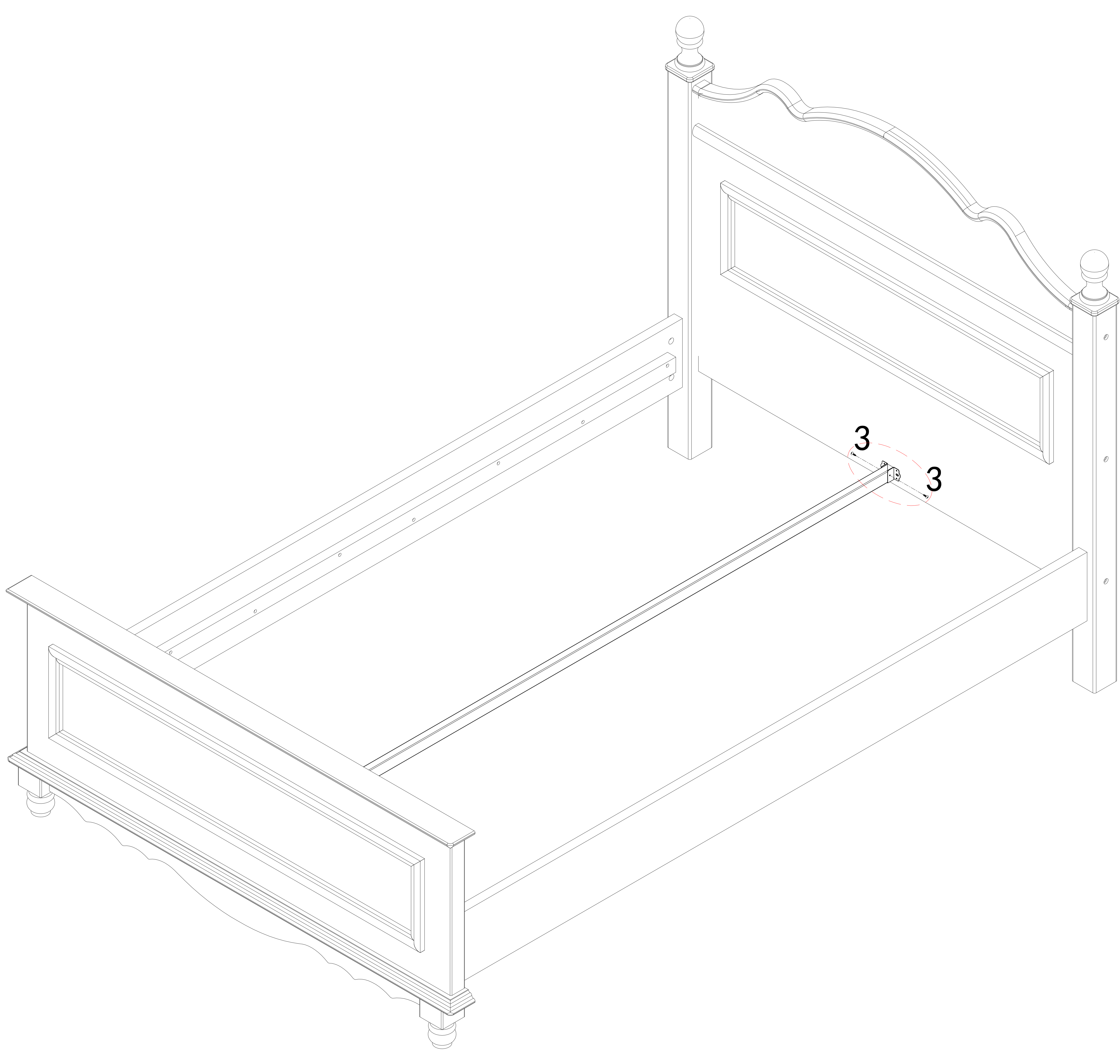
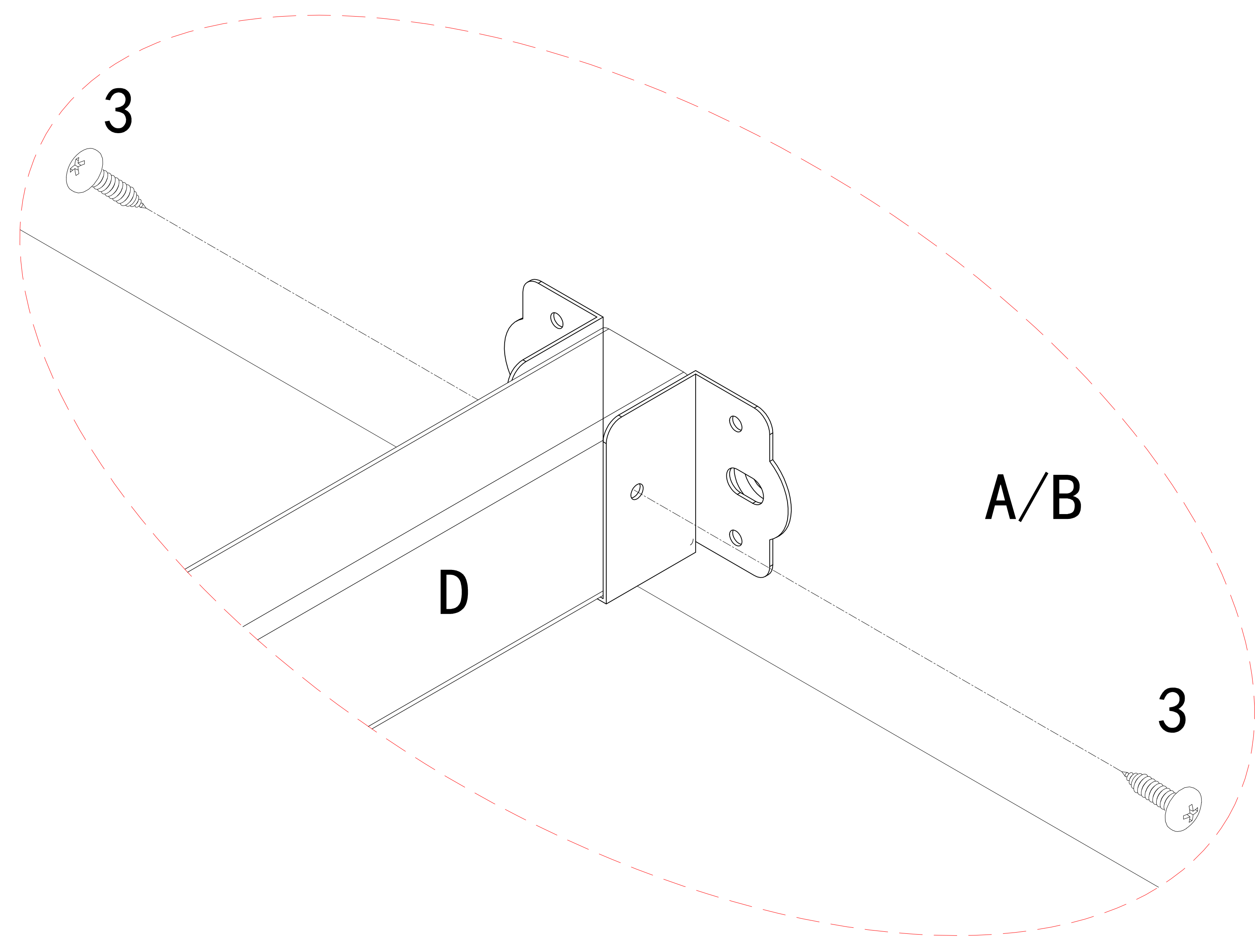
PLEASE CHECK THE HARDWARE LIKE THIS:

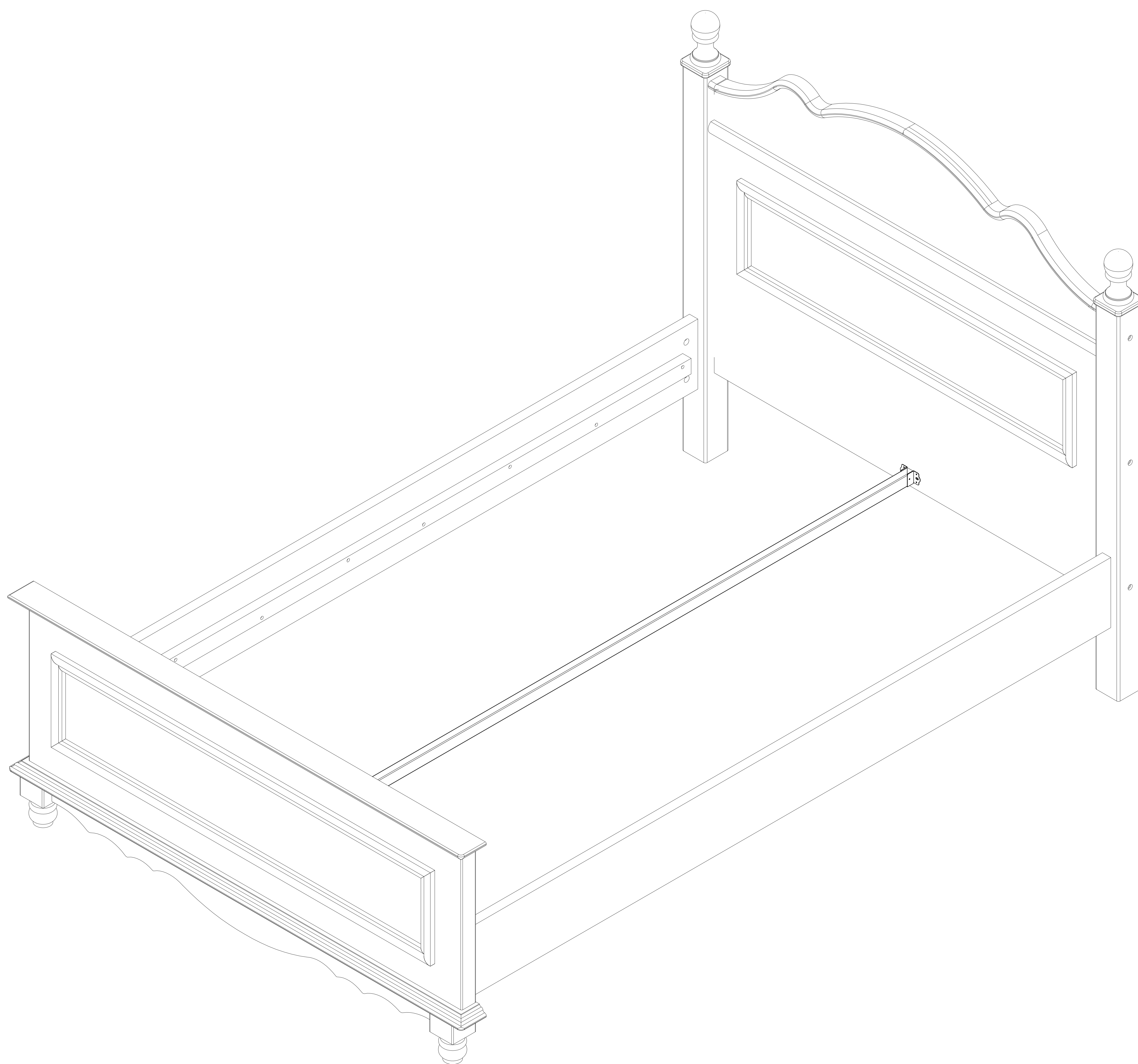
1#	2#	3#
		
φ3/4*55mm	92*30*50mm	7# φ3.5*16mm
8PCS	2PCS	12PCS

ALL THE PARTS AS BELOW:

A	B	C	D
			
1PCS	1PCS	2PCS	1PC







(FINISH)