


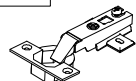

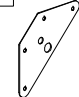
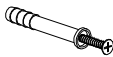
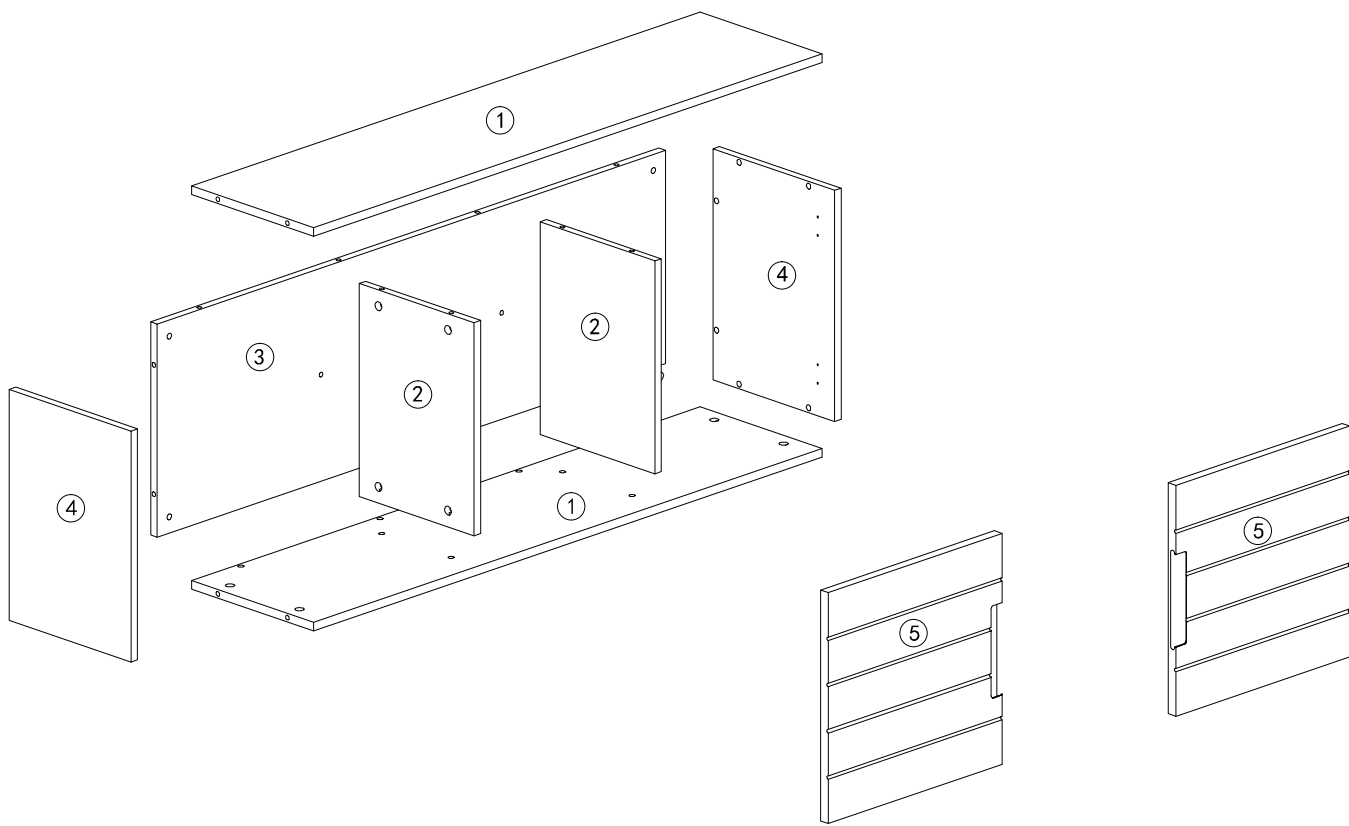
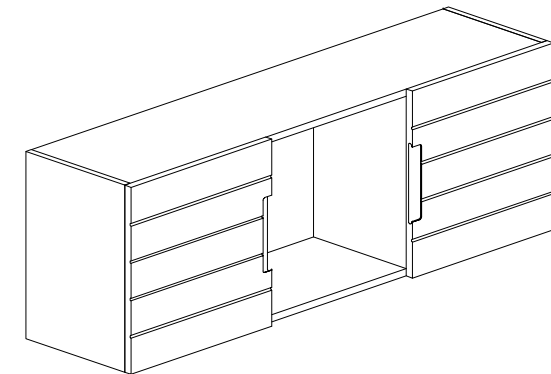


ACCESSORIES LIST

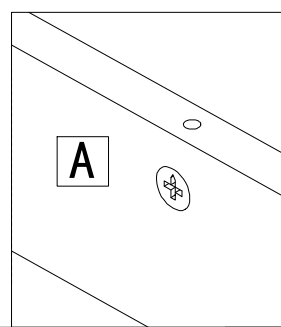
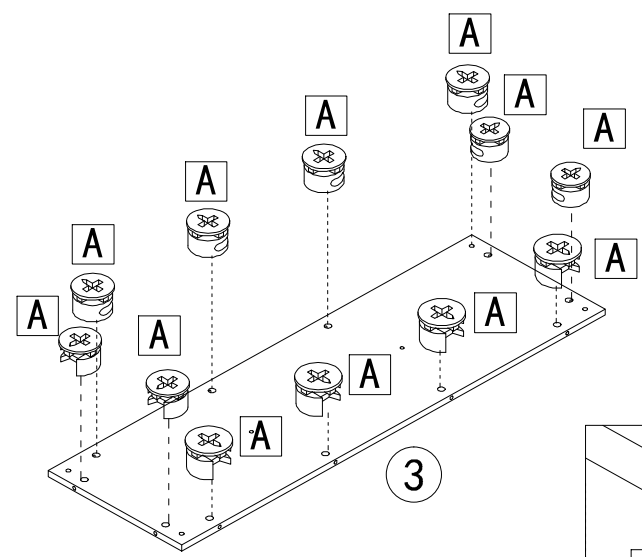
MODEL NAME

6865# 挂柜

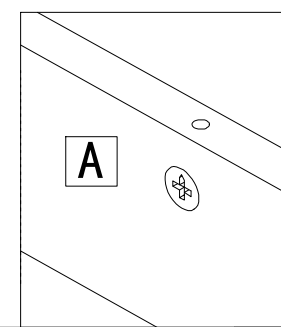
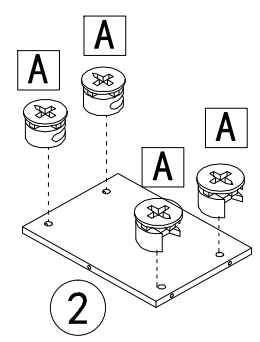
| | | | | | | | | | |
|--|---|---|--|---|--|---|----------|----------|----------|
| A  28-PCS | B  28-PCS | C  7*38mm 2-PCS | D  4-PCS | E  3X14mm 48-PCS | F  4-PCS | G  4-PCS | H | I | J |
| K | L | M | N | O | P | Q | R | S | T |



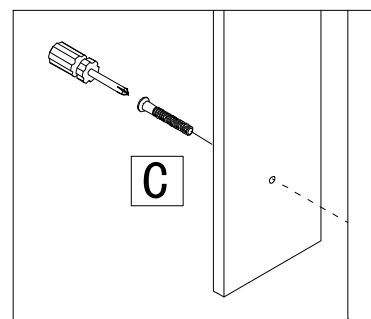
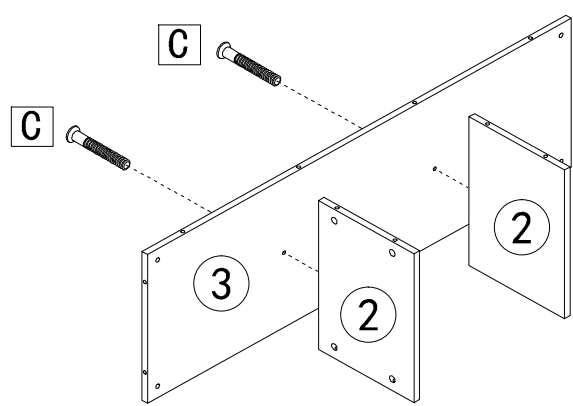
1



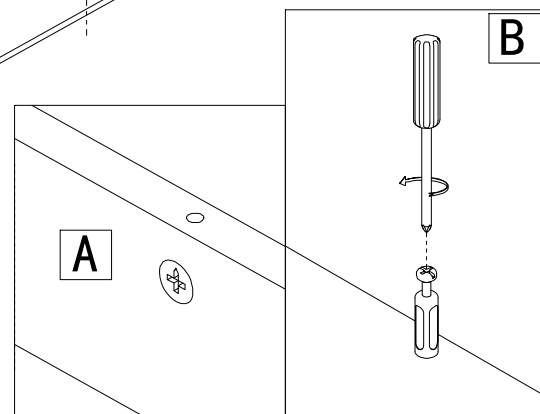
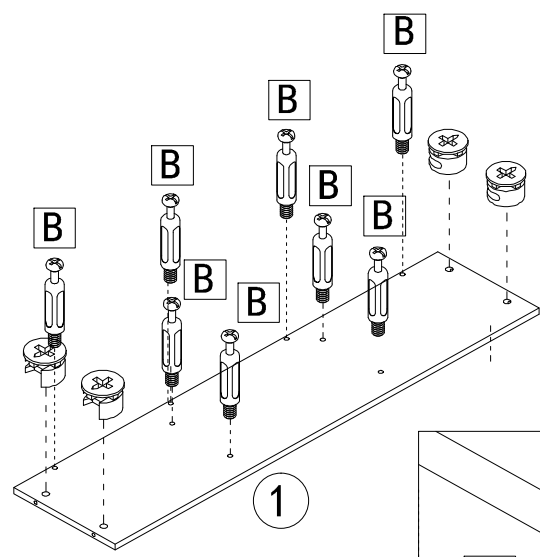
2



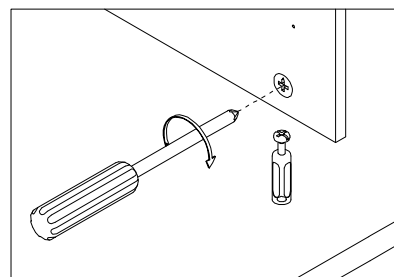
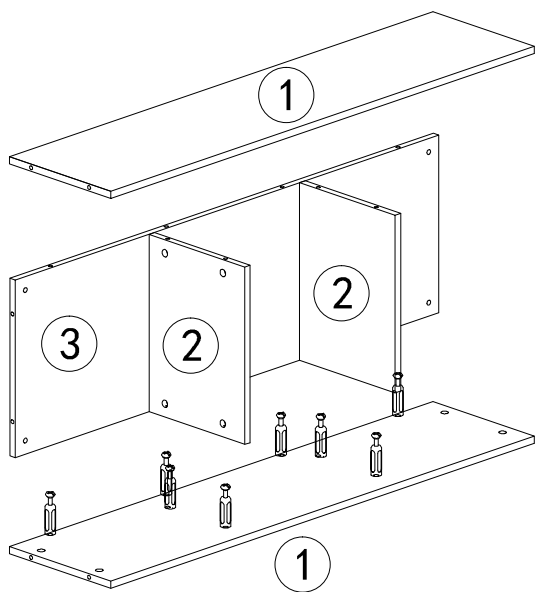
3



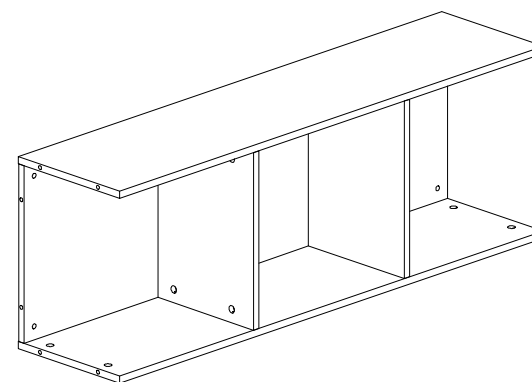
4



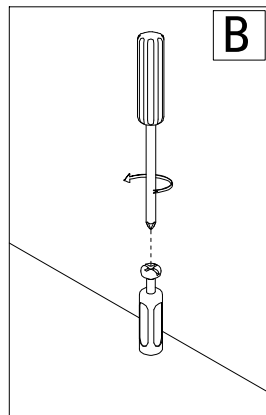
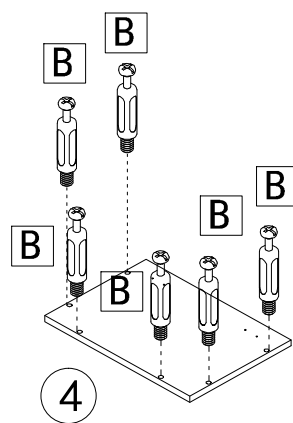
5



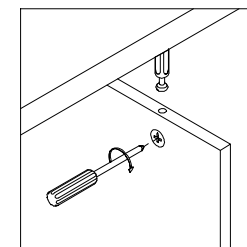
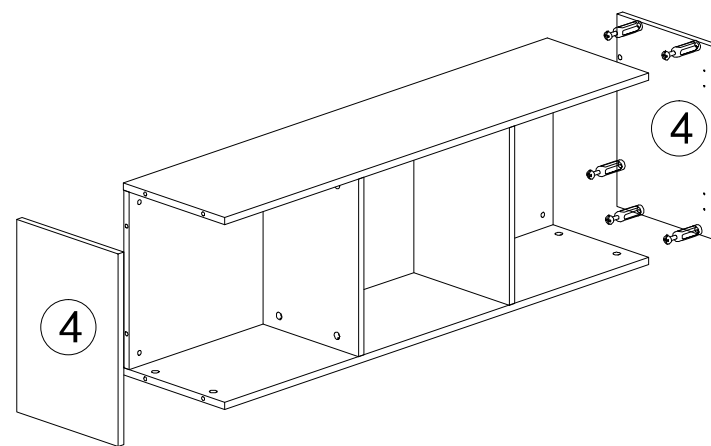
6



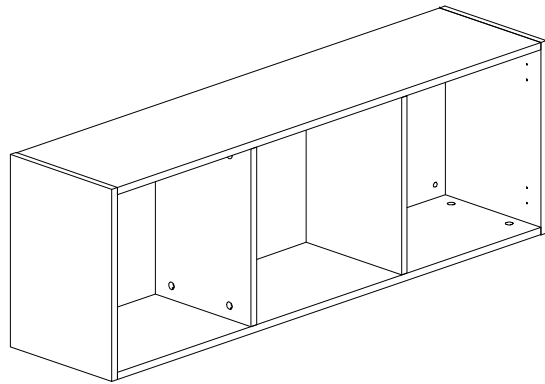
7



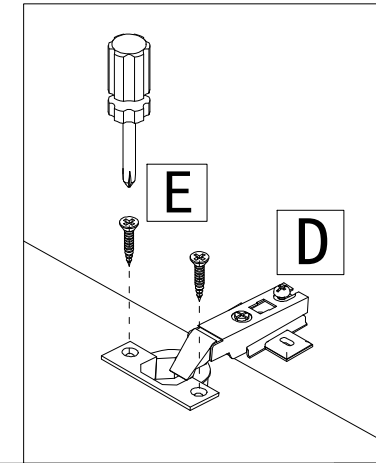
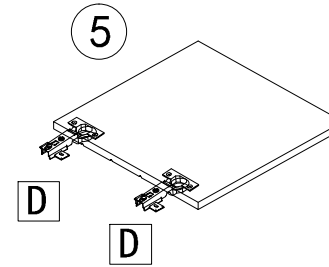
8



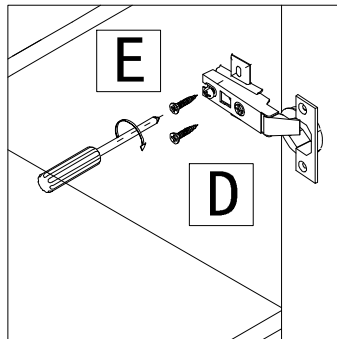
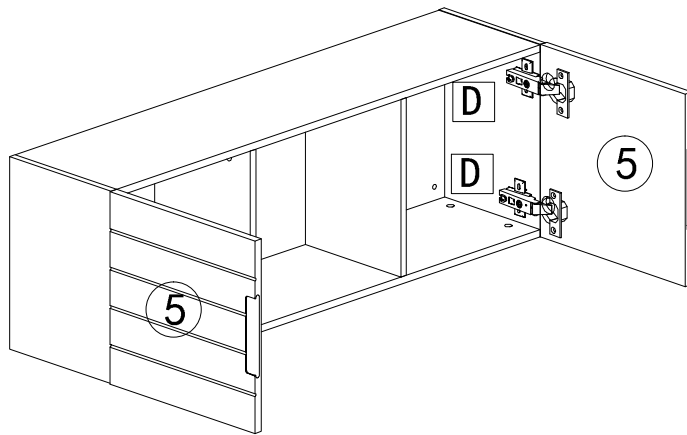
9



10



11



12

