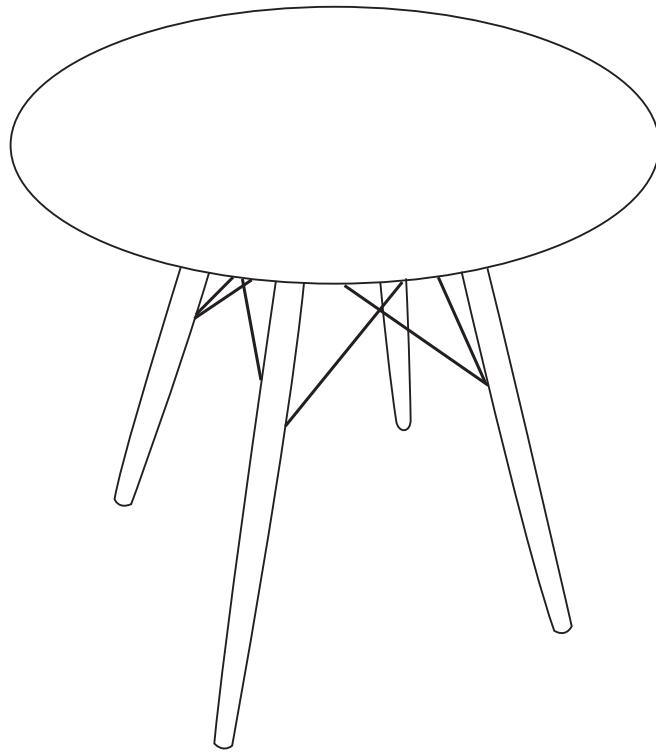
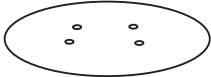
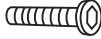

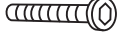





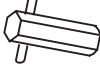



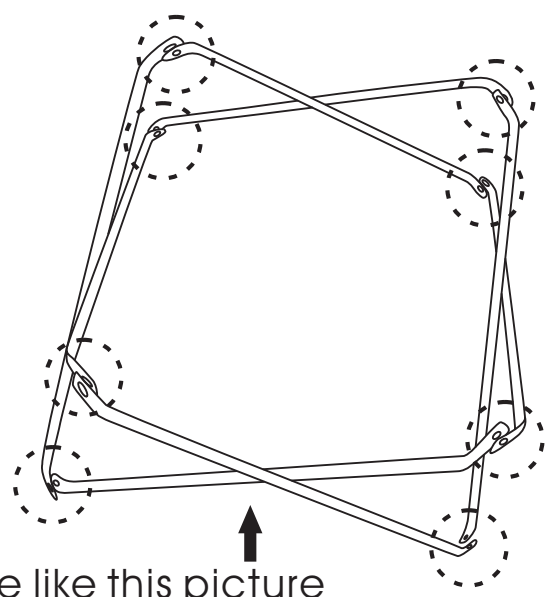
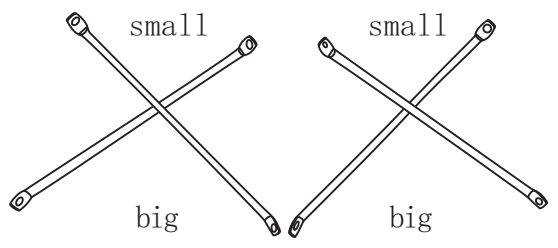
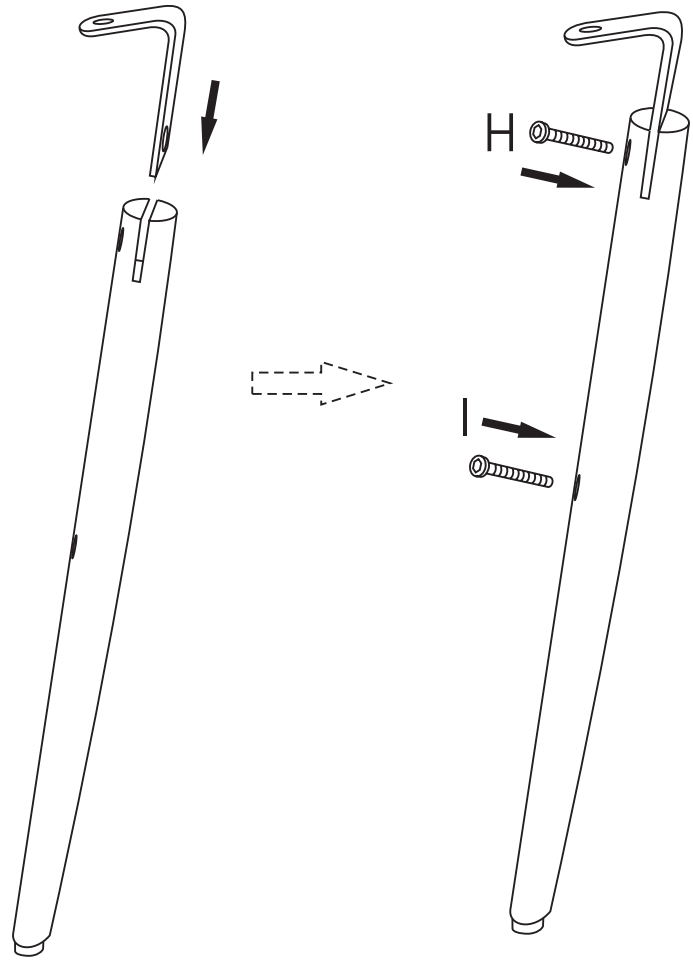


S L - 682



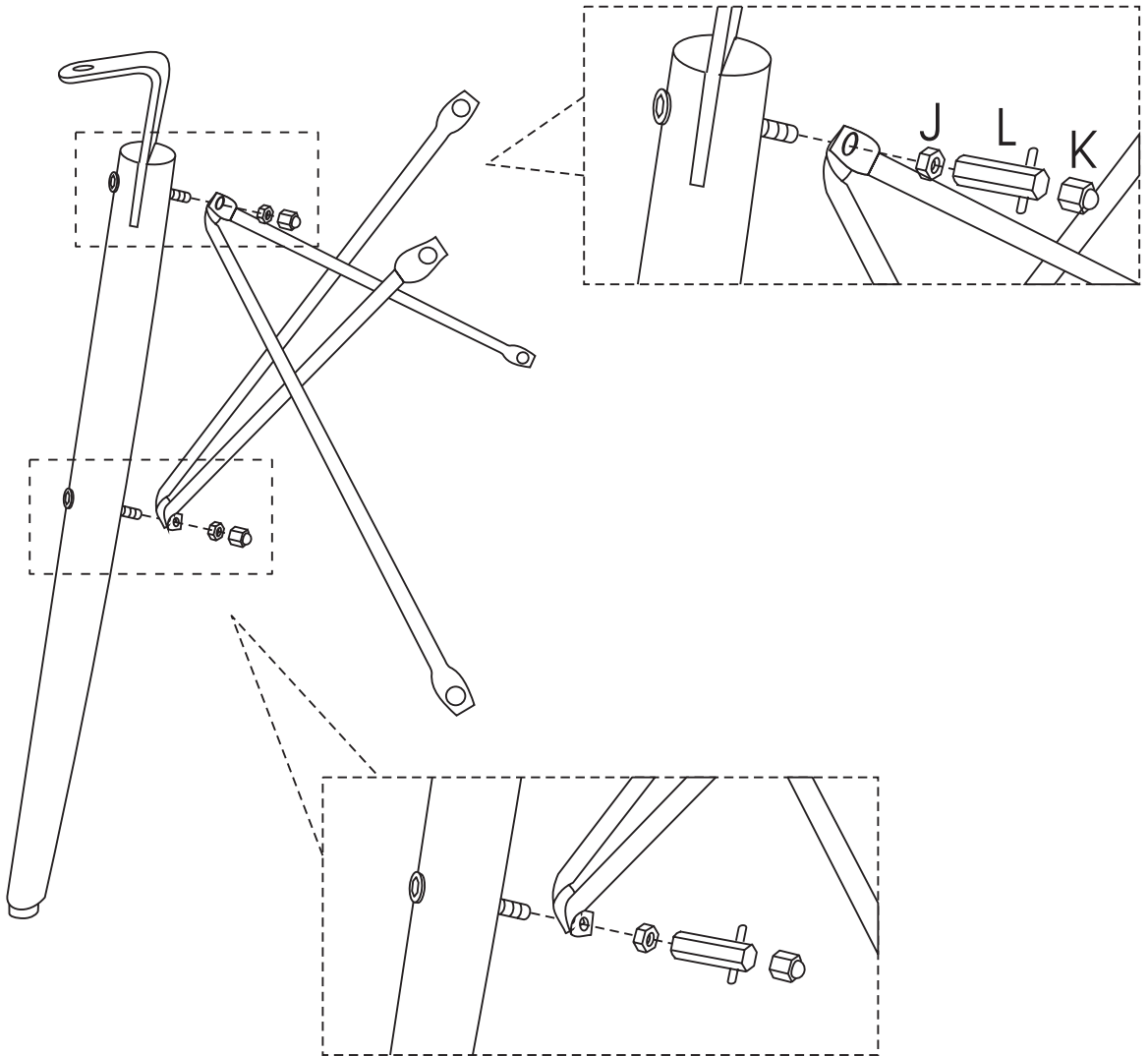
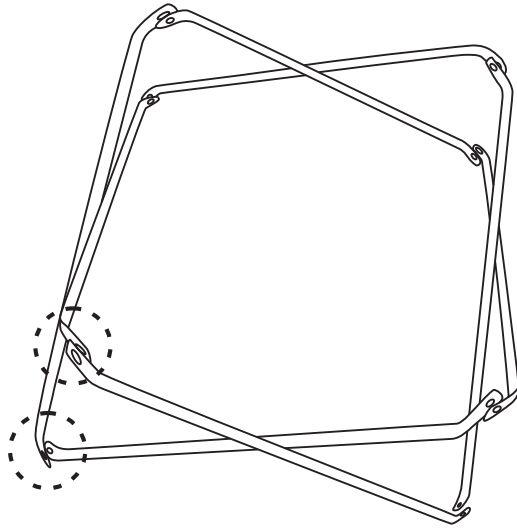
A		1	H	 M6*32mm	4
B		4	I	 M6*35mm	4
C		4	J		8
D		4	K		8
E	 M6*18mm	4	L		1
F		4	M		1
G		4			

1

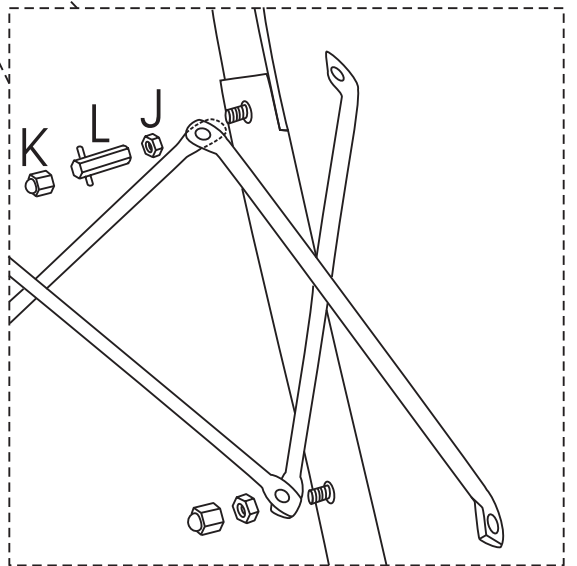
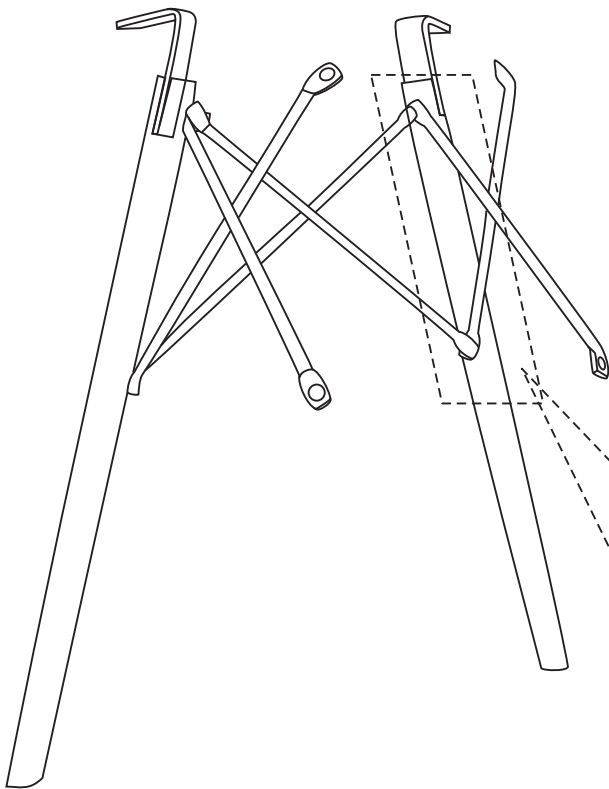
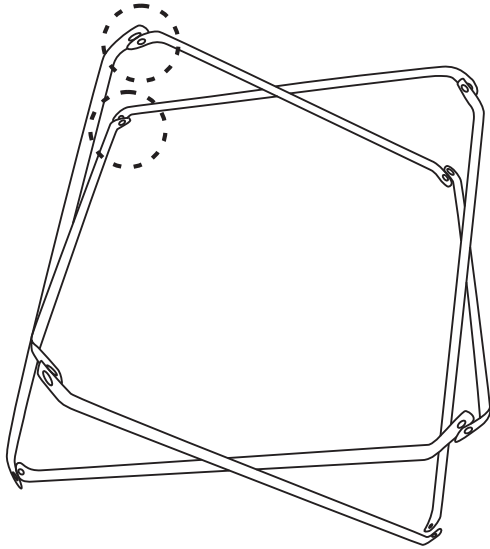


Assemble this 4 kd frame like this picture

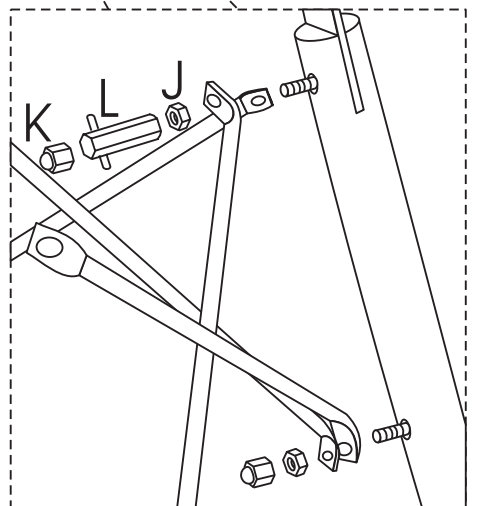
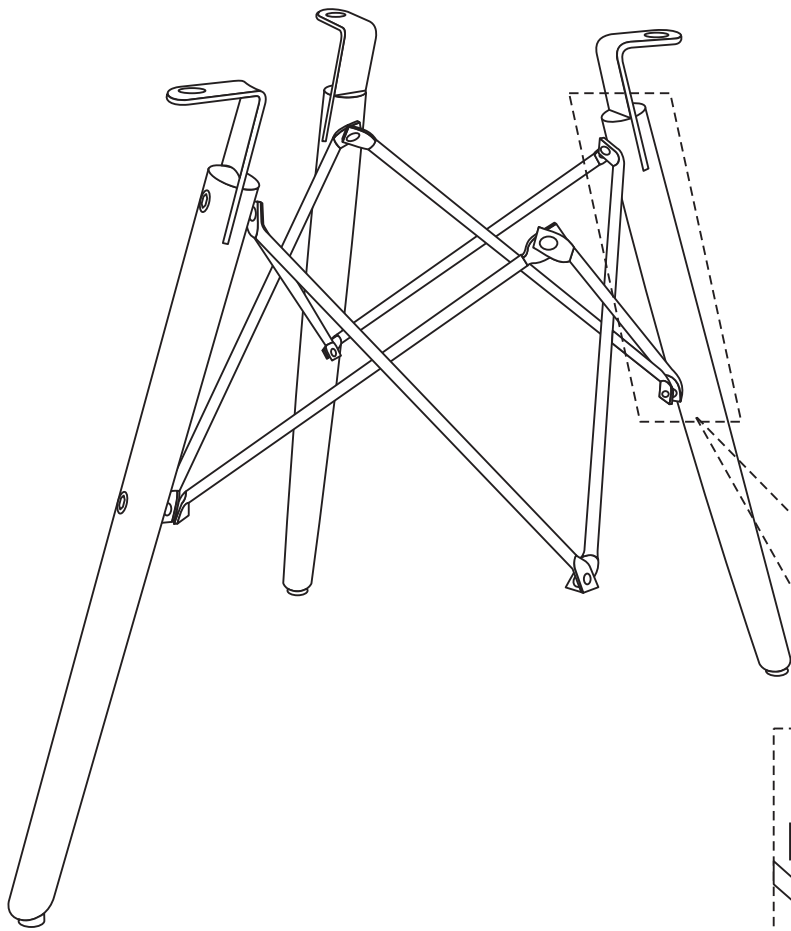
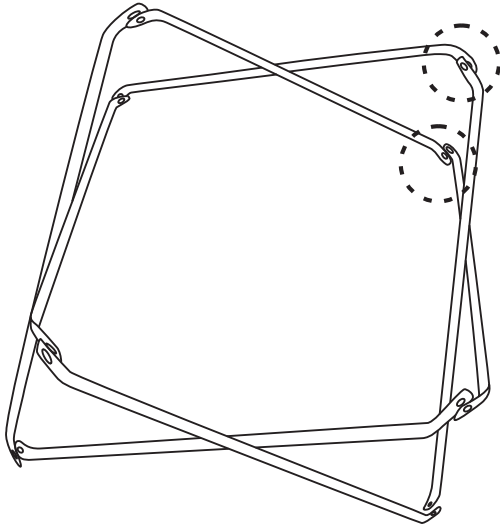
2



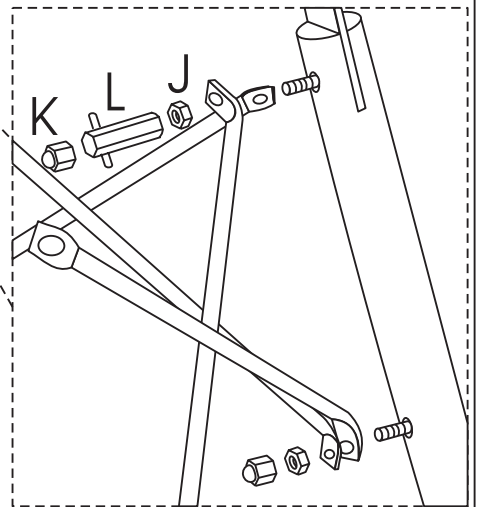
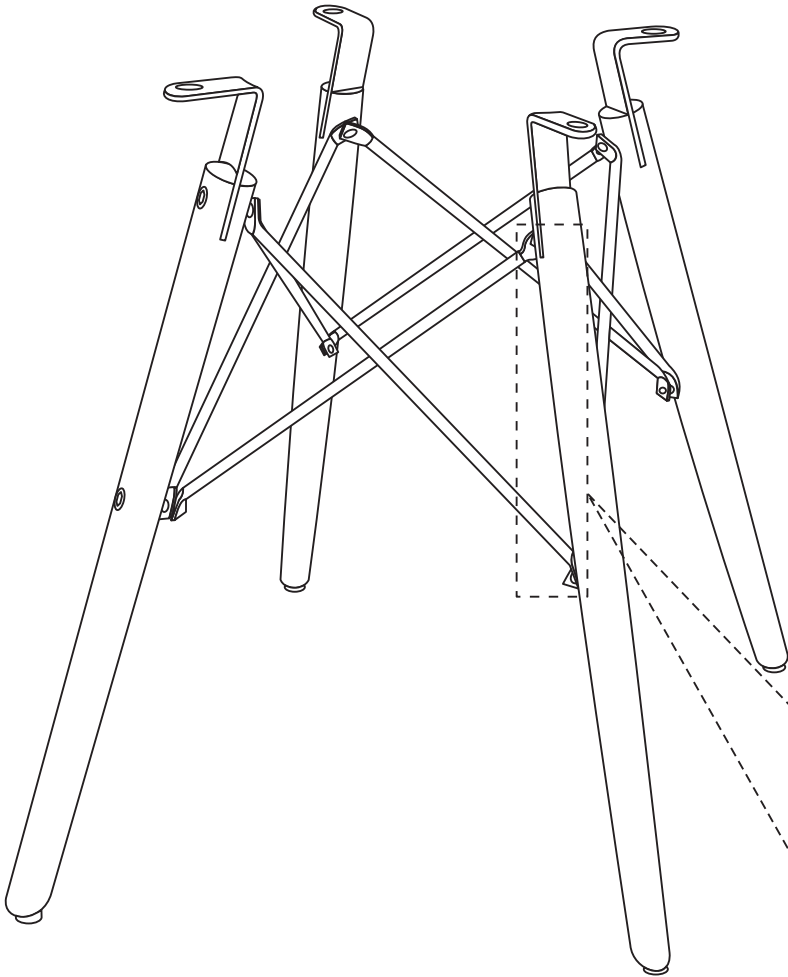
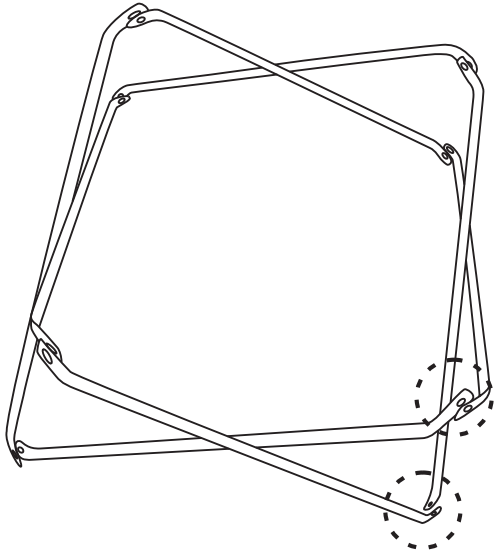
3



4



5



6

